

# NSB 12-730RT *UPS Battery*

Designed for mission critical applications



Front Terminal Adapter



NorthStar's UPS batteries are ideal for use with datacenters and other applications where **downtime is not an option.**

- Performance excels at high rates of discharge and recharge
- 15 year float life at 20°C (68°F)
- EUROBAT design life definition: Long Life (12+ years)
- High energy density
- Operating temperature range: -40°C to +65°C (-40°F to 149°F)
- State-of-the-art automated manufacturing ensures consistency and reliability
- Advanced 3 stage terminal design to ensure leak-free operation - female M8 brass terminals provide maximum performance
- 2 year shelf life at 25°C (77°F)
- High modulus Polyphenylene Oxide (PPO) plastic materials designed to withstand extended elevated operating temperatures and maintain high battery compression essential for reliable operation
  - Non-halogenated, thermally sealed plastic casing
  - Flame retardant (UL 94 V0) and LOI of at least 28%
- Pure lead, advanced valve regulated AGM batteries ensure power when it is needed most.
- Integral handles and front access terminals ensure ease of installation and maintenance
- Approved as non-hazardous cargo for ground, sea, and air transport - DOT 49CFR173.159(d), (i) and (ii)

Visit our website to find out more [www.northstarbattery.com](http://www.northstarbattery.com)



# NSB 12-730RT UPS Battery

## Nominal Technical Specifications



### Electrical

	International Standard 20°C (68°F)	North American Standard 25°C (77°F)
4C (15 min.) power to 1.67 VPC	686 Watts/Cell	731 Watts/Cell
Float Voltage	2.29 +/- 0.02 VPC	2.27 +/- 0.02 VPC
Impedance (1kHz)	2.2 mΩ @ 25°C (77°F)	
Conductance	2,400 S	
Nominal Voltage	12 V	
Short Circuit Current	6,000 A	
Shelf Life	2 years	

### Dimensions

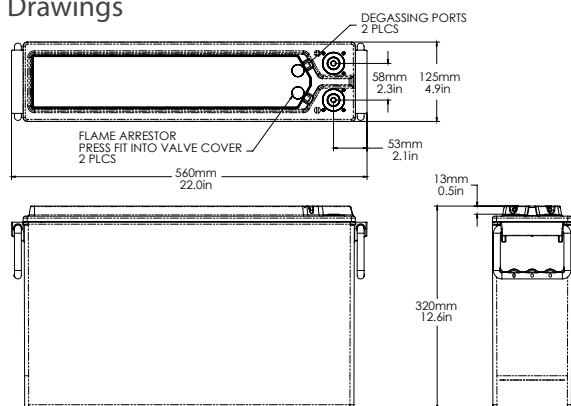
Height	320 mm (12.6 in) 323 mm (12.7 in) with Front Terminal adapter	Weight	61 kg (134 lbs)
Width	125 mm (4.9 in)	Terminal	Female M8 x 1.25
Depth	560 mm (22.0 in)	Terminal Torque	8.0 Nm (71 in-lbs)

### Constant Power Discharge Ratings

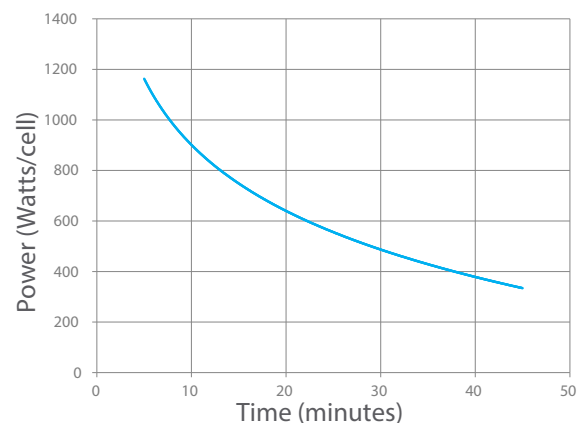
Duration (minutes) (watts/cell @ 25 °C/77 °F)

End of discharge (Volts)	2	5	10	15	20	30	45	60	120
1.75	1160	1029	815	676	580	455	347	282	164
1.70	1329	1129	840	712	606	471	356	288	165
1.67	1421	1182	899	731	620	479	361	291	166
1.65	1477	1214	917	743	628	484	363	293	167
1.60	1593	1282	954	767	645	494	369	836	168

### Drawings



### Discharge Curve to 1.67 VPC



#### NorthStar Americas

NorthStar Battery Company LLC  
4000 Continental Way  
Springfield, MO, 65803,  
United States of America  
info@northstarbattery.com  
Tel: +1 417 575 8200  
Fax: +1 417 575 8250

#### NorthStar Europe

SiteTel Sweden AB  
Staffans Väg 6-8  
SE-192 07 Sollentuna,  
Stockholm, Sweden  
europe@northstarbattery.com  
Tel: +46 8 410 102 00  
Fax: +46 8 638 06 00

#### NorthStar Middle East, Africa

SiteTel Sweden AB JTL Branch  
Office 702, Saba 1 Tower  
Jumeirah Lake Towers, Dubai  
United Arab Emirates  
mea@northstarbattery.com  
Tel: +971 4 423 8060  
Fax: +971 4 423 8061

#### NorthStar Asia-Pacific

NS Asia Pacific Sdn. Bhd.  
Level 20, Menara Standard  
Chartered  
30 Jalan Sultan Ismail, 50250  
Kuala Lumpur, Malaysia  
asia@northstarsitetel.com  
Tel: +60 3 2117 5354

[www.northstarbattery.com](http://www.northstarbattery.com)



Distribuidor Autorizado Tel. (81)8333 8788

email. [informes@secovi.com](mailto:informes@secovi.com) [www.secovi.com](http://www.secovi.com)

Form: SES-546-17 Issued: 01-20-14 ECO: 2398-S13