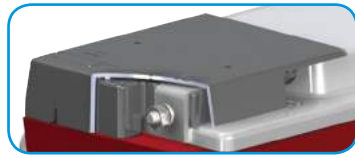


NSB 12-650RT *UPS Battery*

Designed for **mission critical applications**

A premium replacement for the 12-650FT



Front Terminal Adapter



NorthStar's Pure Lead UPS batteries, ideal for use with datacenters and applications where **downtime is not an option.**

- Performance excels at high rates of discharge and recharge
- 15 year float life at 20°C (68°F)
- EUROBAT design life definition: Long Life (12+ years)
- High energy density
- Operating temperature range: -40°C to +65°C (-40°F to 149°F)
- State-of-the-art automated manufacturing ensures consistency and reliability
- Advanced 3 stage terminal design to ensure leak-free operation - female M8 brass terminals provide maximum performance
- 2 year shelf life at 25°C (77°F)
- High modulus Polyphenylene Oxide (PPO) plastic materials designed to withstand extended elevated operating temperatures and maintain high battery compression essential for reliable operation
 - Non-halogenated, thermally sealed plastic casing
 - Flame retardant (UL 94 V0) and LOI of at least 28%
- Pure lead, advanced valve regulated AGM batteries ensure power when it is needed most.
- Integral handles and front access terminals ensure ease of installation and maintenance
- Approved as non-hazardous cargo for ground, sea, and air transport - DOT 49CFR173.159(d), (i) and (ii)

Visit our website to find out more www.northstarbattery.com



NSB 12-650RT UPS Battery

Nominal Technical Specifications



Electrical

	International Standard 20°C (68°F)	North American Standard 25°C (77°F)
4C (15 min.) power to 1.67 VPC	611 Watts/Cell	652 Watts/Cell
Float Voltage	2.29 +/- 0.02 VPC	2.27 +/- 0.02 VPC
Impedance (1kHz)	2.3 mΩ @ 25°C (77°F)	
Conductance	2,240 S	
Nominal Voltage	12 V	
Short Circuit Current	5,000 A	
Shelf Life	2 years	

Dimensions

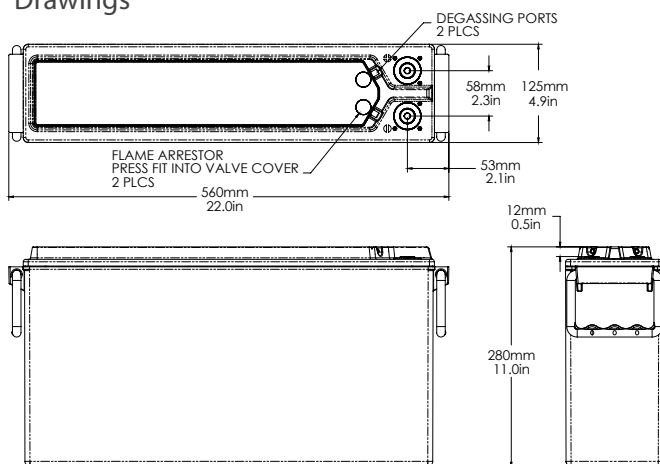
Height	280 mm (11.0 in) 283 mm (11.1 in) with Front Terminal adapter	Weight	53 kg (117 lbs)
Width	125 mm (4.9 in)	Terminal	Female M8 x 1.25
Depth	560 mm (22.0 in)	Terminal Torque	8.0 Nm (71 in-lbs)

Constant Power Discharge Ratings

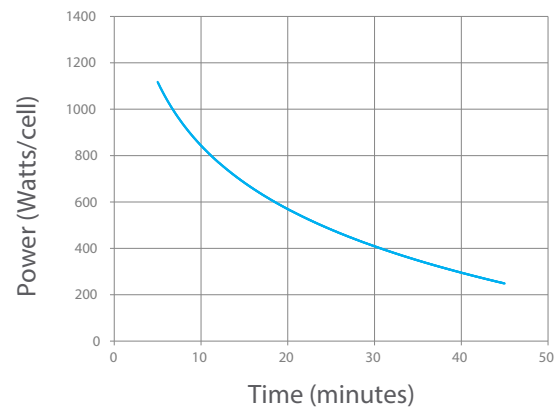
Duration (minutes) (watts/cell @ 25 °C/77 °F)

End of discharge (Volts)	2	5	10	15	20	30	45	60	120
1.75	1243	1023	760	607	507	384	284	226	126
1.70	1390	1109	806	636	528	396	290	230	127
1.67	1474	1155	830	652	539	402	293	232	128
1.65	1527	1183	845	661	545	406	295	233	128
1.60	1649	1245	875	679	557	413	299	235	128

Drawings



Discharge Curve to 1.67 VPC



NorthStar Americas
NorthStar Battery Company LLC
4000 Continental Way
Springfield, MO, 65803,
United States of America
info@northstarbattery.com
Tel: +1 417 575 8200
Fax: +1 417 575 8250

NorthStar Europe
SiteTel Sweden AB
Staffans Väg 6-8
SE-192 07 Sollentuna,
Stockholm, Sweden
europe@northstarbattery.com
Tel: +46 8 410 102 00
Fax: +46 8 638 06 00

NorthStar Middle East, Africa
SiteTel Sweden AB JTL Branch
Office 702, Saba 1 Tower
Jumeirah Lake Towers, Dubai
United Arab Emirates
mea@northstarbattery.com
Tel: +971 4 423 8060
Fax: +971 4 423 8061

NorthStar Asia-Pacific
NS Asia Pacific Sdn. Bhd.
Level 20, Menara Standard
Chartered
30 Jalan Sultan Ismail, 50250
Kuala Lumpur, Malaysia
asia@northstarsitetel.com
Tel: +60 3 2117 5354

www.northstarbattery.com



Distribuidor Autorizado Tel. (81)8333 8788

email. informes@secovi.com

www.secovi.com

Form: SES-546-16 Issued: 01-20-14 ECO: 2398-S13