

NSB 12-450RT *UPS Battery*

Designed for mission critical applications



Front Terminal Adapter



NorthStar's Pure Lead UPS batteries, ideal for use with datacenters and applications where **downtime is not an option.**

- Performance excels at high rates of discharge and recharge
- 15 year float life at 20°C (68°F)
- EUROBAT design life definition: Long Life (12+ years)
- High energy density
- Operating temperature range: -40°C to +65°C (-40°F to 149°F)
- State-of-the-art automated manufacturing ensures consistency and reliability
- Advanced 3 stage terminal design to ensure leak-free operation - female M8 brass terminals provide maximum performance
- 2 year shelf life at 25°C (77°F)
- High modulus Polyphenylene Oxide (PPO) plastic materials designed to withstand extended elevated operating temperatures and maintain high battery compression essential for reliable operation
 - Non-halogenated, thermally sealed plastic casing
 - Flame retardant (UL 94 V0) and LOI of at least 28%
- Pure lead, advanced valve regulated AGM batteries ensure power when it is needed most.
- Integral handles and front access terminals ensure ease of installation and maintenance
- Approved as non-hazardous cargo for ground, sea, and air transport - DOT 49CFR173.159(d), (i) and (ii)

Visit our website to find out more www.northstarbattery.com



NSB 12-450RT UPS Battery

Nominal Technical Specifications



Electrical

	International Standard 20°C (68°F)	North American Standard 25°C (77°F)
4C (15 min.) power to 1.67 VPC	425 Watts/Cell	454 Watts/Cell
Float Voltage	2.29 +/- 0.02 VPC	2.27 +/- 0.02 VPC
Impedance (1kHz)	2.6 mΩ @ 25°C (77°F)	
Conductance	1,841 S	
Nominal Voltage	12 V	
Short Circuit Current	3,800 A	
Shelf Life	2 years	

Dimensions

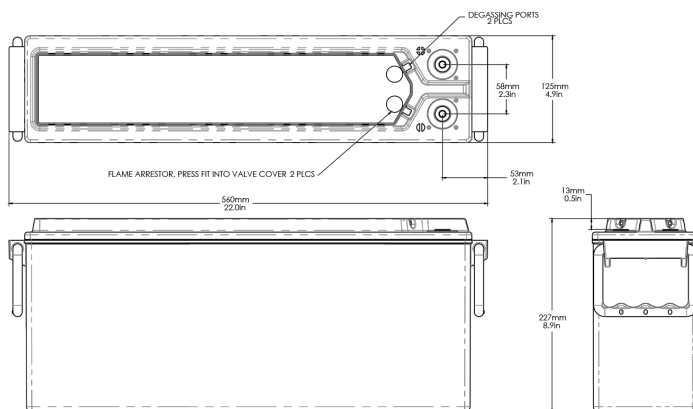
Height	227 mm (8.9 in) 230 mm (9.1 in) with Front Terminal adapter	Weight	39 kg (86 lbs)
Width	125 mm (4.9 in)	Terminal	Female M8 x 1.25
Depth	560 mm (22.0 in)	Terminal Torque	8.0 Nm (71 in-lbs)

Constant Power Discharge Ratings

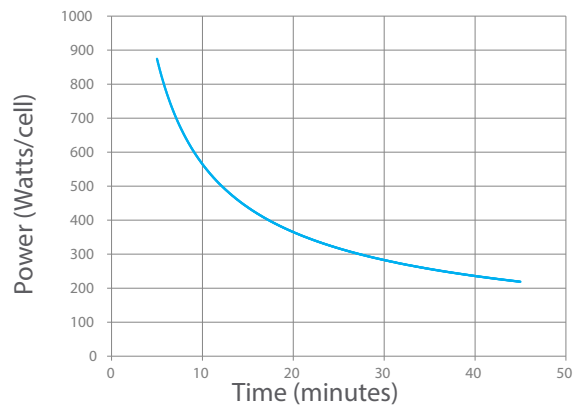
Duration (minutes) (watts/cell @ 25 °C/77 °F)

End of discharge (Volts)	2	5	10	15	20	30	45	60	120
1.75	1009	749	538	427	358	273	204	164	94
1.70	1120	804	566	445	370	279	207	166	94
1.67	1180	834	580	454	376	283	209	167	94
1.65	1216	851	589	459	379	285	210	167	94
1.60	1292	888	607	470	387	289	212	169	95

Drawings



Discharge Curve to 1.67 VPC



NorthStar Americas
 NorthStar Battery Company LLC
 4000 Continental Way
 Springfield, MO, 65803,
 United States of America
 info@northstarbattery.com
 Tel: +1 417 575 8200
 Fax: +1 417 575 8250

NorthStar Europe
 SiteTel Sweden AB
 Staffans Väg 6-8
 SE-192 07 Sollentuna,
 Stockholm, Sweden
 europe@northstarbattery.com
 Tel: +46 8 410 102 00
 Fax: +46 8 638 06 00

NorthStar Middle East, Africa
 SiteTel Sweden AB JTL Branch
 Office 702, Saba 1 Tower
 Jumeirah Lake Towers, Dubai
 United Arab Emirates
 mea@northstarbattery.com
 Tel: +971 4 423 8060
 Fax: +971 4 423 8061

NorthStar Asia-Pacific
 NS Asia Pacific Sdn. Bhd.
 Level 20, Menara Standard
 Chartered
 30 Jalan Sultan Ismail, 50250
 Kuala Lumpur, Malaysia
 asia@northstarsitetel.com
 Tel: +60 3 2117 5354

www.northstarbattery.com



Distribuidor Autorizado Tel. (81)8333 8788

email. informes@secovi.com

www.secovi.com

Form: SES-546-14 Issued: 01-20-14 ECO: 2398-S13