

NSB 12-365RT *UPS Battery*

Designed for **mission critical applications**

A premium replacement for the 12-420FT



NorthStar's Pure Lead UPS batteries, ideal for use with datacenters and applications where **downtime is not an option.**

- Performance excels at high rates of discharge and recharge
- 15 year float life at 20°C (68°F)
- EUROBAT design life definition: Long Life (12+ years)
- High energy density
- Operating temperature range: -40°C to +65°C (-40°F to 149°F)
- State-of-the-art automated manufacturing ensures consistency and reliability
- Advanced 3 stage terminal design to ensure leak-free operation - female M8 brass terminals provide maximum performance
- 2 year shelf life at 25°C (77°F)
- High modulus Polyphenylene Oxide (PPO) plastic materials designed to withstand extended elevated operating temperatures and maintain high battery compression essential for reliable operation
 - Non-halogenated, thermally sealed plastic casing
 - Flame retardant (UL 94 V0) and LOI of at least 28%
- Pure lead, advanced valve regulated AGM batteries ensure power when it is needed most.
- Integral handles and front access terminals ensure ease of installation and maintenance
- Approved as non-hazardous cargo for ground, sea, and air transport - DOT 49CFR173.159(d), (i) and (ii)

Visit our website to find out more www.northstarbattery.com



NSB 12-365RT UPS Battery

Nominal Technical Specifications



Electrical

	International Standard 20°C (68°F)	North American Standard 25°C (77°F)
4C (15 min.) power to 1.67 VPC	343 Watts/Cell	365 Watts/Cell
Float Voltage	2.29 +/- 0.02 VPC	2.27 +/- 0.02 VPC
Impedance (1kHz)	3.7 mΩ @ 25°C (77°F)	
Conductance	1,344 S	
Nominal Voltage	12 V	
Short Circuit Current	3,200 A	
Shelf Life	2 years	

Dimensions

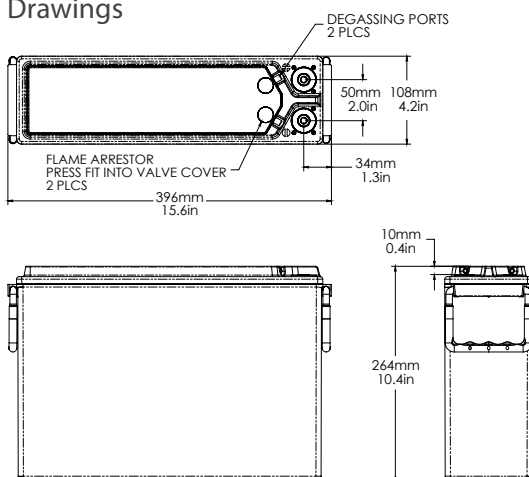
Height	264 mm (10.4 in) 267 mm (10.5 in) with Front Terminal adapter	Weight	30 kg (66 lbs)
Width	108 mm (4.2 in)	Terminal	Female M8 x 1.25
Depth	396 mm (15.6 in)	Terminal Torque	8.0 Nm (71 in-lbs)

Constant Power Discharge Ratings

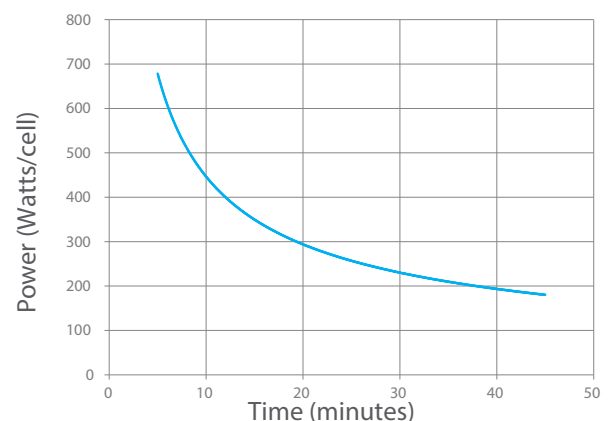
Duration (minutes) (watts/cell @ 25 °C/77 °F)

End of discharge (Volts)	2	5	10	15	20	30	45	60	120
1.75	690	563	423	341	288	221	166	134	77
1.70	784	614	448	357	299	227	169	135	77
1.67	837	641	462	365	304	230	171	136	77
1.65	871	658	470	370	308	232	172	137	77
1.60	949	695	487	381	315	236	173	138	78

Drawings



Discharge Curve to 1.67 VPC



NorthStar Americas

NorthStar Battery Company LLC
4000 Continental Way
Springfield, MO, 65803,
United States of America
info@northstarbattery.com
Tel: +1 417 575 8200
Fax: +1 417 575 8250

NorthStar Europe

SiteTel Sweden AB
Staffans Väg 6-8
SE-192 07 Sollentuna,
Stockholm, Sweden
europe@northstarbattery.com
Tel: +46 8 410 102 00
Fax: +46 8 638 06 00

NorthStar Middle East, Africa

SiteTel Sweden AB JTL Branch
Office 702, Saba 1 Tower
Jumeirah Lake Towers, Dubai
United Arab Emirates
mea@northstarbattery.com
Tel: +971 4 423 8060
Fax: +971 4 423 8061

NorthStar Asia-Pacific

SiteTel Shanghai Co Ltd
Building 9, 1201 Gui Qiao Road
Jin Qiao Export Process Zone,
201206 Shanghai, China
asia@northstarbattery.com
Tel: +86 21 5899 7610
Fax: +86 21 3872 2201

www.northstarbattery.com



Distribuidor Autorizado Tel. (81)8333 8788

email. informes@secovi.com

www.secovi.com

Form: SES-546-11 Issued: 01-20-14 ECO: 2398-S13