

# Product Data Sheet

## NSB 12-300



Specifically designed  
and engineered for  
mission critical  
applications

- Performance excels at high rates of discharge and recharge
- Advanced automation in manufacturing processes ensure consistency and reliability
- Advanced AGM materials significantly enhance performance and reliability
- Exceptional performance under deep or shallow cyclic discharge applications
- Operational within an extreme temperature range
- Advanced 3 stage terminal design to ensure leak free operation
  - Female M6 brass terminals provide maximum performance
- Thermally sealed PPO plastic casing and cover
  - Flame retardant (UL 94 VO) and LOI of at least 28%
  - Designed to withstand extreme degrees of temperature and pressure
- Approved as non-hazardous cargo for ground, sea and air transport
  - DOT 49CFR173.159(d), (i) and (ii)



# Product Data Sheet

## NSB 12-300



### Technical Specifications

	International Standards 20°C (68°F)	NA Standards 77°F (25°C)
4C (15 min.) Power to 1.67 VPC	291 Watts/cell	310 Watts/cell
Float Voltage	2.29 +/- 0.02 Volts/Cell	2.27 +/- 0.02 Volts/Cell
Impedance (1kHz)	3.8 mΩ @ 25 °C (77 °F)	
Conductance	1256 S	
Nominal Voltage	12 V	
Short Circuit Current	2,900 A	
Shelf Life	2 years	

### Measurements

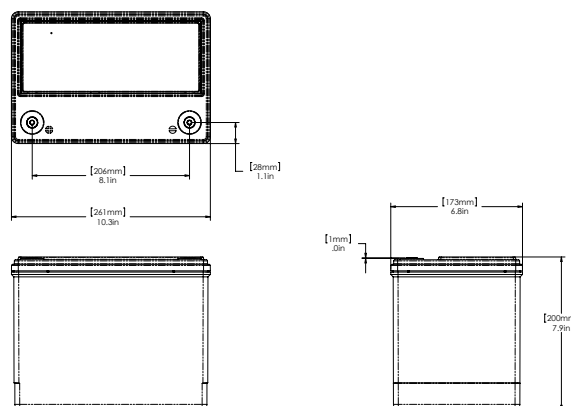
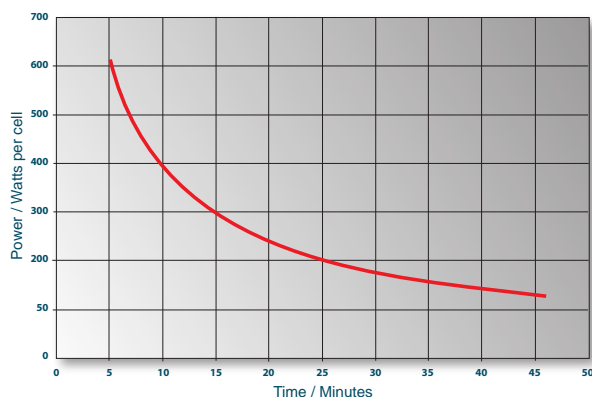
Height	200 mm (7.9 in)
Width	173 mm (6.8 in)
Depth	261 mm (10.3 in)
Weight	27 kg (59 lbs)
Terminal Torque	8.0 Nm (71 in-lbs)
Terminal	Female M6 Leak Proof

\*For more information please contact NorthStar Battery Customer Service

### Constant Power Discharge Ratings Duration (minutes) (Watts/cell at 25°C/77F)

End of discharge (Volts)	2	5	10	15	20	30	45	60	120
1.75	788	552	380	295	243	182	133	106	59
1.70	877	588	397	305	250	186	136	108	61
1.67	924	606	405	310	254	189	138	109	61
1.65	952	616	409	313	256	190	139	110	61
1.60	1011	636	417	318	259	192	140	111	62

NSB12-300 Discharge Curve to 1.67 vpc



NorthStar in the Americas  
NorthStar Battery Company LLC  
4000 Continental Way  
Springfield, MO 65803  
USA  
Tel: (+1) 417 575 8200  
Fax: (+1) 417 575 8250  
info@northstarbattery.com  
www.northstarbattery.com

NorthStar in Europe, Africa,  
Middle East  
SiteTel Sweden AB  
Staffans Väg 6-8  
Box 7039  
SE-192 07 Sollentuna  
Sweden  
Tel. +46 8 410 102 00  
Fax. +46 8 638 06 00  
europe@northstarbattery.com

NorthStar in Asia-Pacific  
SiteTel Shanghai Co Ltd  
Building 9, 1201 Gui Qiao Road  
Jin Qiao Export Process Zone  
201206 Shanghai  
China  
Tel. +86 21 5899 7610  
Fax. +86 21 3872 2201  
asia@northstarbattery.com