

T2 Line Reactor Series



The T2 Line Reactor is part of the Tier 200 series product line. It is a three-phase 3% or 5% impedance line reactor factory-installed in a NEMA 1 steel enclosure, providing a complete, ready-to-install solution for harmonic mitigation and equipment protection. Designed for industrial and commercial power quality applications, it reduces low-frequency harmonic distortion while extending the service life of connected equipment.

Protection & Performance Benefits

Installed in series with your electrical system, the line reactor delivers multiple protective functions that improve both power quality and equipment longevity:

Harmonic Reduction – Attenuates low-frequency harmonics generated by variable frequency drives and other non-linear loads, reducing distortion fed back to the supply network

Inrush Current Limiting – Controls starting currents and commutation effects, reducing stress on upstream electrical infrastructure and downstream equipment

Voltage Transient Dampening – The added system impedance helps bridge minor voltage dips and limit peak currents, providing a buffer against power quality disturbances

Extended Equipment Life – By smoothing current waveforms and reducing electrical stress, the reactor helps protect motors, drives, and other connected loads from premature wear

Industrial Construction

Each unit is built to order in a painted steel NEMA 1 enclosure sized appropriately for the application. Terminal block connections provide straightforward series installation. Enclosures for higher-amperage units include ventilation provisions to ensure adequate heat dissipation under full load conditions. Also available with a lug kit connection.

Flexible Sizing & Custom Configurations

Standard configurations are available from 20A through 200A. Custom amperage ratings, enclosure modifications, and application-specific requirements are available upon request.

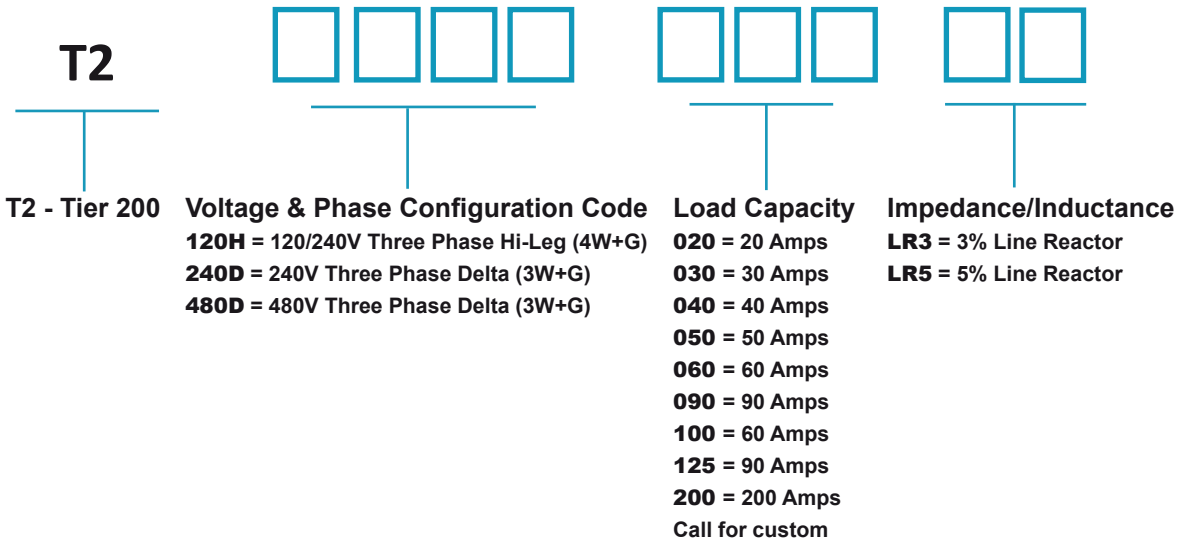
Standards & Warranty

cURus Recognized, cULus Listed
RoHS Compliant
EN 61558-2-20 / IEC 61558-2-20
5-Year Manufacturer Warranty



T2 Line Reactor Series

Line Reactor Specifications	
Connection Type - Line Reactor	Series, Terminal Block or Lug Kit
Maximum Current Capacity	Available in: 20A - 200A (or custom)
Impedance/Inductance	High Impedance 3% or 5% available
Maximum Heat Dissipation	Dependent on the size of the line reactor
Insulation Class	Dependent on the size of the line reactor
Short Circuit Current Rating (SCCR)	22kAIC
Enclosure	NEMA 1 Steel
Dimensions	Dependent on the amperage
Weight	Dependent on the amperage
Standards	cURus, CULus, IEC 61558-2-20/ EN 61558-2-20
Operating Temperature	-40°C to +75°C
Operating Humidity	0% to 95% non-condensing
Warranty	5 Years



Example Model Number: T2-480D100LR3

Rev 26.01.16-1.1