

Data Aire Series
Air Cooled,
Water/Glycol Cooled
6 through 30 ton Dual Circuits

R-410A



DAI
DATA AIRE INC.®



Data Aire®

... the pioneer and builder of the
most complete line of
precision cooling equipment

Data Aire's first precision cooling system was developed by data processing engineers who sought optimum environmental conditions for early computers. It was clear that "people comfort" air conditioning systems were unable to meet the environmental requirements of computers and data processing equipment. Precision environmental control equipment with high sensible cooling ratios was a necessity. Problems with paper sticking, head crash, and static electricity were eliminated. Humidity fluctuations were controlled, saving possible electrical and mechanical failures and more importantly – Downtime. Data Aire's innovative response to the challenge of eliminating problems within the computer room environment was the start of wide use precision cooling.

As in the past, Data Aire is meeting today's challenge of not only the computer room but also the ever expanding telecommunications industry where precision cooling is vital to our everyday communications. Telecommunication equipment requires a controlled environment with clean and properly distributed air. As in the computer room, the environment must be precisely controlled – 24 hours a day, 365 days a year.

Data Aire produces solutions. We have offered environmental control solutions to meet specific needs in the smallest of places and in areas of thousands of square feet. We are prepared to assist you, your in-house engineering department, consulting engineer, or construction department in defining the proper solutions and bringing them to a predefined outcome.

Data Aire is committed to being the supplier of choice for environmental process cooling with flexibility, reliability, and expertise required to meet our customer's needs. To be successful, it is essential to be creative and use our resources to their fullest capabilities. The Data Aire goal is to benefit the employees, partners, and most of all – our customers with honesty and integrity.

Data Aire Delivers!

DATA AIRE DX SERIES - R410-A
DIRECT EXPANSION UNITS
AIR COOLED, WATER COOLED, GLYCOL COOLED

(Separate brochure for R407c and Chilled Water Cooled units.)

TABLE OF CONTENTS

Design Features	5
System Controls	8
Options	10
Model Number Identification	13
Performance Data	
Air Cooled.....	14
Water Cooled.....	20
Glycol Cooled.....	26
Energy Saver	32
Auxiliary Chilled Water	34
Standard Condenser Electrical Data.....	36
Dimensional and Weight Information	37

Data Aire, Inc. reserves the right to make design changes for the purpose of product improvement or to withdraw any design without notice.

PRECISION COOLING

Data Aire Series units offer precision environmental control that brings a standard of reliable performance to meet today's market demands. Data Aire systems are designed for data centers, telecommunication sites, or anywhere process cooling is required. *Data Aire Series* units are available in 6 through 30 nominal tons with upflow or downflow air distribution either in air cooled or water/glycol cooled models. Each unit is factory run tested and put through a vigorous quality control procedure.

COMFORT

Computer rooms and other environmentally controlled spaces require air which is clean and properly distributed, with precisely controlled temperature and humidity. Building or "people comfort" cooling systems are not designed to meet these demands. *Data Aire Series* units are designed to maintain temperature and humidity with properly distributed clean air required in environmentally controlled areas.

HIGH PERFORMANCE/LOW COST

Engineered for performance and reliability, each *Data Aire Series* unit comes with Data Aire's commitment to excellence. This commitment began with Data Aire's first process cooling unit and has continued for more than 30 years of building the industry's finest environmental control equipment.

DATA AIRE DELIVERS

Standard ship cycle is 30 days from date of order. With an optional premium "quick ship" units can be expedited to ship in little as one week. All units are built to your specific order and specification. Call your nearest Data Aire representative for more information.



FRAME/CABINET

Units are constructed with heliarc welded tubular steel frames. The tubular construction provides for maximum strength and ease of access. Side and front panels can be easily removed with quarter-turn fasteners allowing full access to all unit components. All panels include 1 inch thick, 11/2 pound density insulation for protection and sound attenuation.

COIL SECTION

Designed for draw through application, the computer selected dual circuited A-frame coil has an interwoven surface that increases unit efficiency at low load conditions. Air is drawn through both circuits of the coil at low velocity providing effective surface exposure with minimum turbulence. Air bypass is provided to prevent saturated air from being introduced into the controlled space. The coil sits in a stainless steel drain pan.

FAN SECTION

The centrifugal, forward curved, double width, double inlet blower configuration is engineered for quiet reliable operation. The dual belt driven variable pitch drive section provides adjustable air flow capability to match the load requirements of the controlled space. The draw through design insures even air distribution across the coil, low internal cabinet pressure losses and static sealing of the filter section. Motors are mounted on an adjustable slide base and have internal overload protection.

FILTER SECTION

Units are provided with 4 inch deep MERV 8, based on ASHRAE std 52.2, pleated filters. The filter section is accessible from the top or side on downflow units and the right hand side on upflow units.

REHEAT

Three stage electric reheat is standard. Low-watt density, finned, tubular sheathed coils are constructed of stainless steel and provide ample capacity to maintain room dry bulb conditions during dehumidification. Low-watt density coils eliminate ionization associated with open air electric resistance heating.

HUMIDIFICATION

Data Aire Series units include an electric steam generator humidifier with “quick change” disposable cylinders and auto-flush cycle. The steam generator humidifier with its patented control system optimizes cylinder life and energy efficiency by concentrating incoming water to a predetermined conductivity much higher than that of any entering water. The control system continuously monitors the conductivity in the cylinder through its electronics which allows water to be flushed as often as is necessary to maintain the capacity at this design conductivity. The high design conductivity results in a minimum flushing of heated water which saves energy. The humidifier is designed to allow all units at any voltage to produce full rated steam output capacity at an optimum low water level based on this design conductivity.

REFRIGERATION CIRCUITS

Dual refrigeration circuits include high efficiency hermetic scroll type compressors. Scroll compressors represent new yet proven compressor technology. Scroll compressors offer a combination of reliability, performance, and efficiency. System noise is inherently quieter with scroll compressors.

Scroll compressors offer:

Simplicity - Fewer parts. Two components, a fixed scroll and orbiting scroll, replace approximately 15 parts required to do the same work.

Improved Starting Ability - With the scroll design the internal compression components always start unloaded even if the system pressures are not balanced. Since internal compressor pressures are always balanced at start-up, low voltage characteristics are excellent for scroll compressors.

Energy Efficiency - Scroll compressors are at least 10% more efficient than reciprocating type compressors.

The suction and discharge processes of a scroll compressor are physically separated. This reduces heat transfer between the suction and discharge gas. In a piston type compressor the cylinder is exposed to both suction and discharge gas. This results in high heat transfer reducing the compressor efficiency.

Scroll compressor compression and discharge processes are very smooth. Gas is compressed in approximately $1\frac{1}{2}$ revolutions compared to less than $\frac{1}{2}$ revolution for a piston.

Scrolls require no valves. Piston compressors require both suction and discharge valves. No valves, no valve losses.

Durability - Significant design effort and system cost are required to protect piston compressors from slugging and debris. Scroll compressors are designed to be more tolerant of both liquid and debris.

Reliability - Scrolls contain fewer moving parts resulting in greater reliability. Proven performance means fewer maintenance calls for field personnel.

Lower Sound - Systems properly designed with scroll compressors will be inherently quieter. On average, the compressor is up to 5 decibels quieter. (Sound characteristics of a scroll compressor are different than that of a reciprocating compressor. These do not effect system performance or reliability)

These durable, heavy duty compressors have no gaskets or seals, eliminating the possibility of refrigerant or oil leaking into the controlled space or environment. Each refrigeration circuit includes built-in compressor overload protection, crankcase heater, filter drier, sight glass, adjustable expansion valve with external equalizer, low pressure override timer (air cooled units), manual reset high pressure control, and anti-short cycle timer.

Water/glycol cooled units include counterflow condensers sized to provide the required capacity for heat rejection with minimum water/glycol flow and total pressure drop. Head pressure regulating valves control

the condensing temperature and maintain required capacity at various water/glycol flow rates and temperatures.

Air Cooled with Remote Outdoor Air Cooled Condenser

A wide range of outdoor condensers are available with vertical air discharge. Condensers manufactured by Data Aire are sized to meet the required heat rejection and ambient conditions. The industrial duty condenser design includes an aluminum housing, aluminum finned copper tube coils, powder coated fan guards, energy efficient, thermally protected direct drive motors, and variable speed fan control on the lead motor for proper control down to -20° F. Additional fan motors are controlled with ambient thermostats.

Air Cooled with Indoor Condenser

A wide range of floor mounted indoor condensers with horizontal intake and discharge are available for applications where an outdoor condenser cannot be used. Finished to match the indoor evaporator section, the condenser includes a centrifugal, forward curved, double width, double inlet blower engineered for quiet and reliable operation. The belt driven variable pitch drive section provides adjustable airflow. The motor has internal overload protection and is mounted on an adjustable slide base. Indoor condensers are provided with a factory mounted and piped receiver. The receiver has a head pressure control valve to maintain flooded condenser control.

Air Cooled with Remote Outdoor Condensing Unit

When compressors are required to be out of the controlled space, Data Aire Series units are available with a remote outdoor condensing unit. The condensing unit includes the compressors with built-in overload protection, crankcase heater, filter drier, sight glass, and condenser coil. The

condenser coil is constructed with copper tubes and aluminum fins. The housing is aluminum with vertical air discharge. The condenser is variable speed fan control on the lead motor for head pressure control down to -20° F. Additional fan motors are controlled by ambient fan thermostats.

Water/Glycol Cooled with Remote Outdoor Fluid Cooler

Remote outdoor dry coolers (fluid coolers) are available in a variety of sizes. Each dry cooler includes an aluminum housing, aluminum finned copper tube coil, powder coated fan guards, surge tank, pump contactor, and energy efficient, thermally protected direct drive motors. Dry coolers with multiple motors have cycling control.

Water/Glycol Cooled with Indoor Fluid Cooler

When required a wide range of floor mounted indoor fluid coolers (dry coolers) are available. The air intake and discharge are horizontal. Units are finished to match the indoor unit. The centrifugal, forward curved, double width, double inlet blower is engineered for quiet reliable operation. The belt driven variable pitch drive section provides adjustable airflow. The fan motor has internal overload protection and is mounted on an adjustable slide base. The unit control panel includes a pump contactor (units can be ordered with a factory mounted pump).

SYSTEM CONTROL

Every Data Aire Series unit come equipped with a dap™ 4 control system, which is the fastest and most advance microprocessor controller available on the market today. The system is comprised of two components – a display module and a control module. The display module includes a backlit liquid crystal display and six buttons for easy programming and communication. All programming, status and alarm conditions are displayed on the module in easy to read verbiage. The control module is mounted inside the unit and connected to the display module via a special “telephone” like cable.

The display module will allow recall and display of the high and low temperature and high and low humidity for the last 24 hours; current percent of capacity and average percent of capacity for the last hour of operation for cool 1, cool 2, reheat, humidification, dehumidification, component runtimes for fan motor(s), cooling stages, reheat, humidification, dehumidification and chilled water valve. Programming will have multilevel password and accomplished entirely from the front of the unit. Programmable functions shall be entered on flash memory to ensure program retention should power fail. The historical database shall be maintained by rechargeable battery backup. Multiple messages shall be displayed by automatically by scrolling from each message to the next. Alarm conditions shall be displayed by automatically scrolling from each message to the next. Alarm conditions, in addition to being displayed, shall enunciate an audible alarm. Four programmable summary contacts shall be available for remote alarm monitoring. Additional test or service terminal shall not be required for any functions. The control shall include temperature anticipation, moisture level humidity control and automatic flush cycles.

An alarm condition shall continue to be displayed until the malfunction is corrected. Multiple alarms shall be displayed sequentially in order of occurrence and only those alarms, which have not been acknowledged, shall continue to sound an audible alarm. The dap4 panel shall perform an automatic self-test on system start-up. A user accessible diagnostic program shall aid in system component trouble shooting by displaying on the unit LCD screen the name of the controlled item, output relay number, terminal plug and pin number for each controlled item.

Automatic Control Functions

Humidity Anticipation	Auxiliary Chilled Water Operation*	Sequential Load Activation
Start Time Delay	Automatic Reheat Element Rotation	Automatic or Manual Restart
Temperature Anticipation	Energy Saver (Glycol Operation)*	Hot Water Coil Flush Cycle*
Dehumidification Lockout	Chilled Water Coil Flush Cycle*	Energy Saver Coil Flush Cycle*
Selectable Water Under Floor Alarm Action		Compressor Short Cycle

Condition and Data Routinely Displayed

Current Date and Time	Unit Status	Temperature Setpoint
Humidity Setpoint	Current Temperature	Cooling 1, 2, 3, 4*
Current Humidity	Dehumidification	Humidification
Current Fan Speed*	Reheat 1, 2, 3Current	Discharge Temperature*
Current Chilled Water Valve Position	Current Percent of Capacity Utilized	

Switching and Control functions

System On/Off/Esc Button	Menu Selection Buttons	Menu Exit Button
Select Buttons	Alarm Silence Button	Program Set Button

Manual Override for:

Cool 1, Cool 2, Heat 1, Humidification, CW Valve and Fan Speed

SYSTEM CONTROL, continued

Alarms

High Temperature Warning	High Humidity Warning	Local Alarm
Low Temperature Warning	Low Humidity Warning	Manual Override
Low Pressure Compressor 1	Low Pressure Compressor 2	Humidifier Problem
High Pressure Compressor 1	High Pressure Compressor 2	Custom Message*
Dirty Filter	Under Floor Water Detection	Power Failure Restart
Firestat Tripped	Compressor Short Cycle	Maintenance Required
Temperature Sensor Error	Humidity Sensor Error	Discharge Sensor Error*
No Water Flow*	Smoke Detector*	High Condensate Water Level*
Fan Motor Overload*	Standby Pump On*	Person to Contact on Alarm*

Historical Data

High Temperature Last 24 Hours	Low Temperature Last 24 Hours	High Humidity Last 24 Hours
Low Humidity Last 24 Hours	Alarm History (Last 100 Alarms)	Hourly Average of Duty
Equipment Runtimes for: Blower, Compressor 1, Compressor 2, Reheat 1, 2, 3, Dehumidification, Energy Saver*, Humidifier, Condenser and Chilled Water		

Programmable Functions

Temperature Setpoint	Temperature Deadband	Fan Control Mode
System Start Delay	Low Temperature Alarm Limit	Humidity Deadband
Humidity Setpoint	High Humidity Alarm Limit	Low Humidity Alarm Limit
Define Password	Reset Equipment Runtimes	Audio Alarm Mode
Reverse Acting Water Valve Compressors(s)	Compressor Short Cycle Alarm	Humidity Anticipation
Temperature Scale	Analog Module Sensor Setup*	Calibrate Temperature Sensor
Water Valve Voltage Range	High Temperature Alarm Limit	Fan Speed Settings
Manual Diagnosis	Delay for Optional Alarm 1, 2, 3, 4	Firestat Temperature Alarm Limit
Person to contact on Alarm	Remote Alarm 1, 2, 3, 4 Selection	Calibrate Discharge Air Sensor*
Humidifier Autoflush Timer*	Compressor Lead/Lag Sequence	Dehumidification Mode
Reheat Stages	Power Problem or Restart Mode	Scheduled Normal Maintenance
Humidifier	Water Valve Mode	Calibrate Humidity
Network Protocol	Compressor Supplements to Energy Saver*	
Calibrate Chilled Water Temperature Sensor*	Low Discharge Temperature Alarm Limit*	

In addition, the dap4 control panel shall support the following network protocols for integration with a Building Management System (BMS) for Computer Room Air Conditioning (CRAC) system monitoring and control: Modbus RTU, TCP/IP, SNMP V1 or V2, BACnet IP or MS/TP and LonTalk SNVT.

Building Management System Interface: Unit(s) shall be furnished with an optional interface card to communicate directly with the Building Automation System (BAS) through a RS-485, Ethernet or LonTalk port. All alarms, set points, and operating parameters that are accessible from the unit mounted control panel shall also be made available through the BAS.

* Some of the programmable selections, displays or alarms may require additional components or sensors

Energy Saver Coil - The Data Aire *Energy Saver Coil* is built into the system to provide total required capacity. Whenever the incoming water/glycol temperature is below 45° F/7.2° C, *Energy Saver* cooling is available. *Energy Saver* mode operates in the following range: return air setpoint plus deadband plus 2 degrees. The *Energy Saver* will operate providing there is a need for cooling. The valve will open at setpoint plus deadband. The valve will modulate as long as the space is between setpoint plus deadband plus 2 degrees. If the temperature falls below the deadband minus setpoint, the valve will close and the space is considered satisfied. While still in *Energy Saver* with the valve modulating, if the temperature goes beyond setpoint plus 2 degrees, the *Energy Saver* valve will close and DX cooling will begin.

The *Energy Saver* coil includes the next size motor, 3-way pressure control valve on the condenser water circuit, and 3-way valve on the economy coil. Common piping for coil and condensers is provided.

Energy Saver/Compressor Supplement - Units with *Energy Saver* option can be provided with compressor supplement if the *Energy Saver* is not sufficient as a stand alone system. When the incoming water/glycol temperature is below the setpoint of the water changeover thermostat, the *Energy Saver* is enabled (even if there is no call for cooling). Upon a call for cooling (setpoint plus deadband), the valve will open proportionally - 10% for each 0.1° above setpoint plus deadband. The compressor will come on at setpoint plus deadband plus 1° (the valve is 100% open at this point). The compressor will go off at setpoint plus deadband plus 0.7°. The valve will close proportionally - 10% for each 0.1° below setpoint plus deadband. An air discharge sensor is factory installed.

Auxiliary Chilled Water Coil - Where an existing chilled water loop is available, units can be fitted with an auxiliary chilled water coil. Units will operate using the chilled water for cooling. Upon a loss of water flow or an increase in room temperature the system will bring on compressor (DX) cooling. The Auxiliary Chilled Water coil includes the next size motor. Separate piping is provided for the chilled water coil and refrigeration connections.

Auxiliary Chilled Water Coil/Compressor Supplement - The Auxiliary Chilled Water Coil can be provided with compressor supplement for extended savings by allowing the compressor to supplement operation as needed when the chilled water is not sufficient on a stand alone basis. An air discharge sensor is factory installed. (See *Energy Saver/Compressor Supplement* for details)

Remote Temperature and Humidity Sensors - Temperature and humidity sensors may be ordered for remote wall mounting. Sensors are provided in a wall mount plastic case for remote sensing of temperature and humidity. 25 feet of shielded cable is provided for field wiring.

Smoke Detector - A unit mounted smoke detector will shut down the unit if smoke is sensed. The unit mounted microprocessor control will sound an alarm and display a "SMOKE DETECTED" message. The smoke detector is mounted in the return air stream and is provided with auxiliary contacts.

Unit Mounted Disconnect - A unit mounted nonautomatic disconnect switch is installed in the high voltage electrical section. The operating mechanism (handle) protrudes through the decorative exterior panel. The operating mechanism prevents access to the high voltage electrical components by not allowing entry until switched to the "OFF" position.

Tandem Scroll Compressors - Units may be ordered with tandem scroll compressors when four stage compressor control is required. Units remain dual circuited. Tandem scrolls offer the inherent advantages of scroll technology: higher efficiency, increased reliability, lower sound, and excellent liquid handling.

Scroll tandems offer two steps of modulation so that one or both compressors (per circuit) can run depending upon the load of the system, resulting in part-load efficiency equal to full load efficiency. Two-step modulation is possible because of a carefully designed tubing configuration and the scroll's superior ability to tolerate liquid. The built-in discharge check valve, present in all scroll compressors, effectively prevents liquid migration in the off compressor. Oil migration is controlled with two specially designed oil and gas equalization lines. Adding this option to 30-ton unit will increase cabinet size to 144". (See Supplement TS1-99: Tandem Scroll Technical Performance)

Semi-Hermetic Compressors - Cast iron semi-hermetic compressors are available on all Data Aire Series units. Semi-hermetic compressors are mounted on vibration isolators and have built-in overload protection. The compressors also include oil sight glass, reversible oil pump for forced feed lubrication, and suction line strainer. Units with semi-hermetic compressor option also include solenoid valves and mufflers. Maximum rpm is 1750.

Four Step Control (Cylinder Unloading) - Units with semi-hermetic compressors may be ordered with four step control for periods of low load conditions. Cylinder unloaders on one head of each compressor reduces compressor cooling capacity. Four steps of cooling are available to meet changing room conditions.

Compressor Sequence:

- Step 1 Lead compressor starts with unloader valve activated
- Step 2 Lead compressor running at full load
- Step 3 Lag compressor starts with unloader valve activated
- Step 3 Lag compressor running at full load

Hot Gas Bypass - A hot gas bypass valve is available for applications that create low suction pressure conditions that could lead to coil freeze and/or compressor cycling. In facilities such conditions generally exist in instances where; 1) a unit's dehumidification mode needs to run for extended period of time; or 2) a room is designed for low entering air conditions; or 3) a unit is utilizing an oversized condenser at low outdoor ambient conditions.

When the system suction pressure is high enough it will maintain pressure on the leaving side of the hot gas bypass valve to keep the valve port closed. Should the suction pressure decrease below the desired setting, the pressure from the suction line forces the diaphragm, which off-sets the spring pressure, allowing the spring to push the valve open. The opening of this valve allows some hot gas to mix with the refrigerant in the suction line raising the evaporator pressure. This increases the suction pressure in the system back to the desired setting. The hot gas bypass can be manually adjusted within a certain range to fine tune the unit to a desired suction pressure in the field.

Humidifier Modulating Control - Modulating control may be added to the unit's steam generator humidifier. Modulating control will allow the humidifier to match its output to the signal from the humidity control. A self-regulating auto flush is included.

Hot Water Reheat - Where hot water is available, a water coil for reheat is offered. The coil is designed for 150 psi maximum water pressure and includes a 2-way valve (a 3-way is also available). Units with the hot water reheat do not include electric reheat. Supplemental reheat may be ordered.

Hot Gas Reheat - The unit's hot gas discharge may be used for reheat and maximum system efficiency. Supplemental electric reheat may be ordered in addition to the hot gas reheat.

3-Way Water Regulating Valve - 3-way water regulating valves are available on water and glycol cooled units to replace the standard 2-way valve. The 3-way valve controls the water/glycol flow rate to maintain the required capacity under varying conditions. This option is recommended on units with dual pump applications.

Upflow Air Discharge Plenum - Upflow air discharge plenums are fully insulated with front discharge grille. Side grilles for both or one side are available. Plenums are 18" high and painted to match the unit's color.

Floorstands - Floorstands are adjustable (± 2 inches) and may be ordered with factory installed turning vane or with seismic construction.

High Efficiency Filters - Standard filters are MERV 8. Higher efficiency filters are available (consult factory regarding efficiency percentage and unit static pressures).

Condensate Pumps - Condensate pumps may be ordered factory installed or shipped loose for field installation. Condensate pumps are complete with sump, motor, and automatic control. Pumps shipped loose are available in 115, 230, or 460 volts.

Pump Ratings:

230 volt:

with check valve - 40 GPH at 20 feet

without check valve - 130 GPH at 40 feet

460 volt:

with check valve - 50 GPH at 20 feet

without check valve - 270 GPH at 40 feet

Pump Package - Centrifugal pump packages are available to circulate water or water/glycol solutions. Pumps are available in various horsepower and voltages. Both 3400 and 1750 rpm pumps are available as an option. On dual pump applications it is recommended that a 3-way water regulating valve be used in lieu of the standard 2-way valve.

Pump Enclosure - Pump enclosures are available for either single or dual pump applications. Pump enclosures are vented and weather resistant. When ordered with pumps, the pumps are factory mounted in the enclosure ready for field piping and wiring.

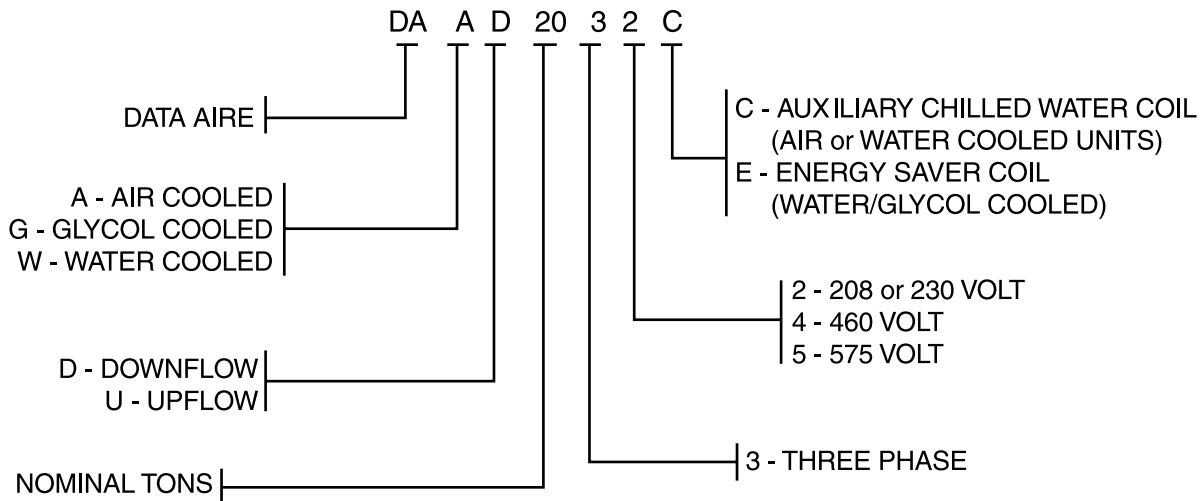
Integral Pump Enclosures - Pumps may be factory mounted as an integral part of the dry cooler. A 30" extension is added to the dry cooler. Pumps are pre-piped and wired and includes shut-off valves. A flow switch is included with dual pumps.

Pump Auto-Changeover - Dual pump packages may be provided with a pump auto-changeover control and NEMA 4 flow switch (field installed). The pump auto-changeover control is factory wired and mounted in the dry cooler control box. The pump auto-changeover control provides automatic pump changeover in the event of a pump failure. Upon pump changeover, an audible alarm will sound at the indoor unit and a message ("STANDBY PUMP ON") will be displayed on the indoor unit microprocessor display.

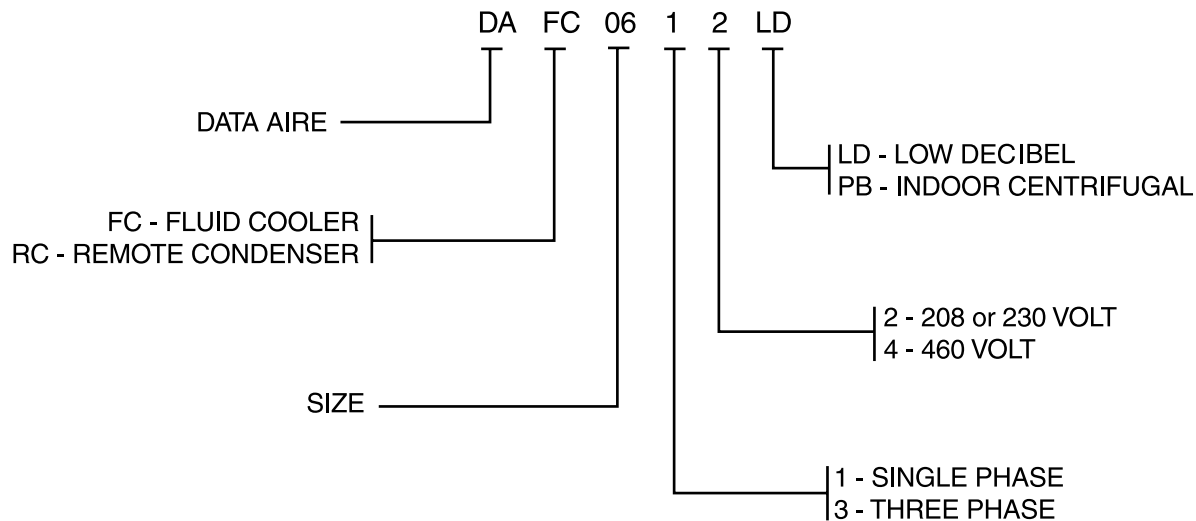
Extended Compressor Warranty - Extended compressor warranties are available from Data Aire. Contact your local representative for one that best suits your needs.

MODEL NUMBER IDENTIFICATION

DATA AIRE SERIES MODEL NUMBER IDENTIFICATION



AIR COOLED CONDENSERS & FLUID COOLERS MODEL NUMBER IDENTIFICATION



AIR COOLED: Performance data at STANDARD airflow

MODEL NUMBER DAAD/U-06 DAAD/U-08 DAAD/U-10 DAAD/U-13 DAAD/U-16 DAAD/U-20 DAAD/U-26 DAAD/U-30

CAPACITY in Btu/hr - Gross

80° DB/67° WB	Total	76,800	108,600	128,400	165,600	214,900	266,500	326,900	388,200
	50% RH Sensible	58,300	84,900	106,400	126,600	160,300	204,900	243,400	301,700
75° DB/62.5° WB	Total	71,600	100,500	119,300	153,500	199,700	246,800	303,700	360,600
	50% RH Sensible	56,300	81,600	102,400	121,800	154,700	197,200	235,100	290,700
75° DB/61° WB	Total	69,500	97,100	115,800	149,300	193,800	240,400	294,300	350,100
	45% RH Sensible	60,200	87,200	109,600	130,300	165,000	211,100	250,400	310,900
72° DB/60° WB	Total	68,400	95,700	113,900	145,900	190,600	235,000	289,800	344,000
	50% RH Sensible	55,100	79,700	99,900	119,000	151,400	192,500	230,100	284,100
72° DB/58.6° WB	Total	66,900	93,000	110,600	142,000	185,400	229,700	283,300	334,400
	45% RH Sensible	58,600	84,600	106,300	126,100	160,200	204,700	244,100	301,400

BLOWER SECTION

Airflow - CFM		2,700	3,600	4,500	4,800	6,400	8,000	9,000	12,000
Standard Motor - horsepower		2	2	3	3	3	5	7.5	3
External static pressure (E.S.P.) - inches of W.G.		0.5	0.5	0.5	0.5	0.5	0.5	0.5	0.5
Number of motors/fans		1/1	1/1	1/1	1/1	1/2	1/2	1/2	3/3
Maximum E.S.P. (Standard motor)	Downflow	0.8	1.0	1.2	0.7	1.0	1.2	1.5	1.5
	Upflow	0.7	0.9	1.0	0.6	0.9	1.1	1.5	1.5
Maximum E.S.P. (Next Size motor)	Downflow	0.9	1.5	1.5	1.5	1.4	1.5	1.5	1.5
	Upflow	0.9	1.5	1.0	1.5	1.3	1.5	1.5	1.5
Next size motor horsepower		3	3	5	5	5	7.5	10	5

COMPRESSORS

Type:									
Hermetic scroll		Standard	Standard	Standard	Standard	Standard	Standard	Standard	Standard
Semi-Hermetic		N/A	N/A	N/A	N/A	N/A	N/A	N/A	N/A
Number		2	2	2	2	2	2	2	2
Refrigerant type		R-410A	R-410A	R-410A	R-410A	R-410A	R-410A	R-410A	R-410A

EVAPORATOR COIL

Face area - sq. ft.		12.2	12.2	12.2	14.5	24.4	24.4	24.4	32.5
Rows of coils		2	3	4	5	3	4	5	4
Face velocity - FPM		221	295	369	331	262	328	369	369

REHEAT SECTION

Electric		Standard	Standard	Standard	Standard	Standard	Standard	Standard	Standard
kW		15	15	15	15	22.5	22.5	22.5	30
Capacity - Btu/hr		51,225	51,225	51,225	51,225	76,835	76,835	76,835	102,450
Hot gas		Optional	Optional	Optional	Optional	Optional	Optional	Optional	Optional
Capacity - Btu/hr		26,000	38,000	42,200	48,000	64,000	81,000	101,000	126,000
Steam		Optional	Optional	Optional	Optional	Optional	Optional	Optional	N/A
Capacity - Btu/hr	Downflow	105,500	115,000	121,000	126,000	90,000	210,000	230,000	N/A
	Upflow	60,000	65,000	69,000	72,000	108,000	120,000	130,000	N/A
Hot water		Optional	Optional	Optional	Optional	Optional	Optional	Optional	N/A
Capacity - Btu/hr	Downflow	70,000	81,000	86,000	90,000	130,000	145,000	160,000	N/A
	Upflow	34,300	44,800	47,500	49,400	74,200	82,000	90,700	N/A

AIR COOLED: Performance data at STANDARD airflow

MODEL NUMBER **DAAD/U-06** **DAAD/U-08** **DAAD/U-10** **DAAD/U-13** **DAAD/U-16** **DAAD/U-20** **DAAD/U-26** **DAAD/U-30**

HUMIDIFIER SECTION

Steam generator	Standard	Standard	Standard	Standard	Standard	Standard	Standard	Standard	Standard
Capacity lbs/hr (Adjustable)	10-30	10-30	10-30	10-30	10-30	10-30	10-30	10-30	10-30
kW	3.3-10.2	3.3-10.2	3.3-10.2	3.3-10.2	3.3-10.2	3.3-10.2	3.3-10.2	3.3-10.2	3.3-10.2
Steam grid	Optional	Optional	Optional	Optional	Optional	Optional	Optional	Optional	Optional
Capacity lbs/hr at 15 psi	31	31	31	31	31	31	31	31	31

FILTER SECTION*

Quantity /size	<i>Downflow</i>	3/20x25	3/20x25	3/20x25	2/20x25 2/16x25	3/20x25 2/16x25	3/20x25 2/16x25	3/20x25 2/16x25	3/20x25 4/16x25
	<i>Upflow</i>	2/20x25	2/20x25	2/20x25	1/20x25 2/16x25	2/20x25 2/16x25	2/20x25 2/16x25	2/20x25 2/16x25	2/20x25 4/16x25
Efficiency - MERV		8	8	8	8	8	8	8	8

(Note: Efficiency based on ASHRAE Std. 52.2)

CONNECTION SIZES

Liquid line - O.D. Copper (2 per unit)	1/2	1/2	1/2	5/8	5/8	5/8	7/8	7/8	7/8
Hot gas line - O.D. Copper (2 per unit)	1/2	5/8	5/8	3/4	3/4	3/4	3/4	7/8	7/8
Suction line* - O.D. Copper (2 per unit)	7/8	7/8	1 1/8	1 1/8	1 3/8	1 3/8	1 3/8	1 3/8	1 3/8
Condensate drain	3/4	3/4	3/4	3/4	3/4	3/4	3/4	3/4	3/4
Humidifier supply	1/4	1/4	1/4	1/4	1/4	1/4	1/4	1/4	1/4

NOTE: Refer to Operation and Maintenance manual for recommended pipe sizing between unit and condenser.

ELECTRICAL SECTION

Standard Motor

Electrical data based on STANDARD unit: electric reheat - YES, steam generator - YES and STANDARD MOTOR.

208-230/3/60	FLA/MCA/MOP	61/75/80	70/81/90	78/90/100	87/100/110	101/124/125	110/134/150	151/171/200	164/199/225
460/3/60	FLA/MCA/MOP	28/34/35	35/41/45	36/42/45	43/49/50	49/60/70	53/64/70	69/78/90	77/93/110
575/3/60	FLA/MCA/MOP	22/27/30	25/29/30	29/33/35	33/38/45	38/47/50	41/50/60	59/66/80	64/77/90

Electrical data based on: electric reheat - NO, steam generator - YES and STANDARD MOTOR.

208-230/3/60	FLA/MCA/MOP	61/71/80	70/81/90	78/90/100	87/100/110	97/112/125	110/125/150	151/171/200	165/186/225
460/3/60	FLA/MCA/MOP	28/33/35	35/41/45	36/42/45	43/49/50	50/58/70	55/63/70	69/78/90	79/89/110
575/3/60	FLA/MCA/MOP	22/25/30	25/29/30	29/33/35	33/38/45	38/44/50	41/47/50	59/66/80	68/76/90

Electrical data based on: electric reheat - YES, steam generator - NO and STANDARD MOTOR.

208-230/3/60	FLA/MCA/MOP	61/75/80	65/80/90	71/86/90	75/92/100	101/124/125	110/134/150	134/162/175	164/199/225
460/3/60	FLA/MCA/MOP	28/34/35	31/39/40	33/40/45	36/44/50	49/60/70	53/64/70	62/74/90	77/93/110
575/3/60	FLA/MCA/MOP	22/27/30	24/29/30	26/32/35	28/34/40	38/47/50	41/50/60	51/62/70	64/77/90

Electrical data based on: electric reheat - NO, steam generator - NO and STANDARD MOTOR.

208-230/3/60	FLA/MCA/MOP	32/36/45	41/46/60	49/55/70	58/65/90	69/76/100	81/90/110	123/135/175	137/151/200
460/3/60	FLA/MCA/MOP	15/17/20	22/25/30	23/26/35	30/33/45	38/42/50	42/47/60	56/62/80	66/73/100
575/3/60	FLA/MCA/MOP	11/12/15	15/16/20	19/20/25	23/25/30	28/31/40	31/34/45	48/53/70	57/63/80

* Only applicable when compressors are in the condensing unit rather than evaporator section.

FLA - Full load amps

MCA - Minimum circuit ampacity (wire sizing amps)

MOP - Maximum rating of the overcurrent protective device

* Units with Auxiliary Chilled Water Coils have different filter quantities as those listed in this section. Refer to dimensional data sheets.

AIR COOLED: Performance data at STANDARD airflow

MODEL NUMBER **DAAD/U-06 DAAD/U-08 DAAD/U-10 DAAD/U-13 DAAD/U-16 DAAD/U-20 DAAD/U-26 DAAD/U-30**

ELECTRICAL SECTION

Next Size Motor

Electrical data based on: electric reheat - **YES**, steam generator humidifier - **YES** and NEXT SIZE MOTOR.

208-230/3/60	FLA/MCA/MOP	63/77/80	72/83/90	84/96/110	93/106/110	107/130/150	116/140/150	161/181/225	183/218/253
460/3/60	FLA/MCA/MOP	29/35/40	36/42/45	39/44/50	45/51/60	52/63/70	56/68/70	73/82/100	84/101/110
575/3/60	FLA/MCA/MOP	23/28/30	26/30/35	31/35/40	35/40/45	40/49/50	44/53/60	60/68/80	70/83/90

Electrical data based on: electric reheat - **NO**, steam generator humidifier - **YES** and NEXT SIZE MOTOR.

208-230/3/60	FLA/MCA/MOP	63/73/80	72/83/90	84/96/110	93/106/110	103/118/125	115/130/150	161/181/225	184/205/253
460/3/60	FLA/MCA/MOP	29/34/35	36/42/45	39/44/50	45/51/60	53/60/70	59/66/80	73/82/100	86/96/110
575/3/60	FLA/MCA/MOP	22/26/30	26/30/35	31/35/40	35/40/45	40/46/50	45/50/60	60/68/80	74/82/100

Electrical data based on: electric reheat - **YES**, steam generator humidifier - **NO** and NEXT SIZE MOTOR.

208-230/3/60	FLA/MCA/MOP	63/77/80	68/83/90	77/92/100	81/98/110	107/130/150	116/140/150	144/172/200	183/218/253
460/3/60	FLA/MCA/MOP	29/35/40	33/40/45	35/42/45	38/46/50	52/63/70	56/68/70	65/78/90	84/101/110
575/3/60	FLA/MCA/MOP	23/28/30	25/30/35	28/34/35	30/36/40	40/49/50	44/53/60	53/63/70	70/83/90

Electrical data based on: electric reheat - **NO**, steam generator humidifier - **NO** and NEXT SIZE MOTOR.

208-230/3/60	FLA/MCA/MOP	35/38/50	44/48/60	56/61/80	65/71/90	75/82/110	87/95/125	133/145/175	155/169/225
460/3/60	FLA/MCA/MOP	16/18/20	23/26/35	26/28/35	32/35/45	40/44/60	46/50/60	60/66/80	74/80/100
575/3/60	FLA/MCA/MOP	12/13/15	16/17/20	21/22/30	25/27/35	30/33/45	34/37/50	50/55/70	63/69/90

FLA - full load amps MCA - Minimum circuit amps (wire size amps) MOP - Maximum rating of the overcurrent protective device

COMPRESSOR

FLA -full load amps

208-230/3/60	13.1	17.6	20.5	25.0	30.1	33.3	51.3	55.8
460/3/60	6.1	9.6	9.6	12.8	16.7	17.9	23.1	26.9
575/3/60	4.4	6.1	7.6	9.6	12.2	12.8	19.9	23.7

CONDENSER

Remote air cooled outdoor

Standard selection at 95° F ambient at sea level

Evaporative model	DAAD/U-06	DAAD/U-08	DAAD/U-10	DAAD/U-13	DAAD/U-16	DAAD/U-20	DAAD/U-26	DAAD/U-30
Condenser model	DARC-07	DARC-09	DARC-11	DARC-15	DARC-17	DARC-21	DARC-28	DARC-30

Selection at 100° F ambient at sea level

Evaporative model	DAAD/U-06	DAAD/U-08	DAAD/U-10	DAAD/U-13	DAAD/U-16	DAAD/U-20	DAAD/U-26	DAAD/U-30
Condenser model	DARC-07	DARC-11	DARC-15	DARC-17	DARC-21	DARC-24	DARC-30	DARC-40

Selection at 105° F ambient at sea level

Evaporative model	DAAD/U-06	DAAD/U-08	DAAD/U-10	DAAD/U-13	DAAD/U-16	DAAD/U-20	DAAD/U-26	DAAD/U-30
Condenser model	DARC-11	DARC-15	DARC-15	DARC-21	DARC-24	DARC-30	DARC-40	DARC-50

*** * * The following section has no reference to column headings * * ***

EVAPORATOR FAN MOTOR

FLA - full load amps

Horsepower	1.0	1.5	2.0	3.0	5.0	7.5	10.0
208-230/3/60	3.6	4.8	6.2	9.0	14.6	23.0	29.0
460/3/60	1.8	2.4	3.1	4.4	6.6	11.0	14.0
575/3/60	1.4	2.0	2.5	3.3	5.3	8.6	10.0

AIR COOLED: Performance data at OPTIONAL airflow

MODEL NUMBER		DAAD/U-06	DAAD/U-08	DAAD/U-10	DAAD/U-13	DAAD/U-16	DAAD/U-20	DAAD/U-26	DAAD/U-30
CAPACITY in Btu/hr - Gross									
80° F/67° WB	Total	79,900	111,700	132,500	169,500	222,900	271,700	333,200	397,900
	50% RH Sensible	65,000	94,900	119,700	138,100	180,800	218,900	258,200	329,300
75° DB/62.5° WB	Total	74,200	103,900	122,800	157,300	207,200	251,800	309,800	369,300
	50% RH Sensible	62,500	91,100	114,900	132,700	173,900	210,300	248,900	316,300
75° DB/61° WB	Total	71,900	100,600	118,800	152,400	201,300	245,600	300,400	357,900
	45% RH Sensible	67,100	97,900	118,600	142,200	186,600	226,000	266,000	339,400
72° DB/60° WB	Total	70,800	99,200	117,000	150,000	197,700	239,800	295,700	352,200
	50% RH Sensible	61,000	88,900	112,000	129,500	169,700	205,100	243,400	308,500
72° DB/58.6° WB	Total	68,800	96,300	113,300	146,000	194,000	234,500	289,100	343,800
	45% RH Sensible	64,900	94,700	112,700	137,800	181,300	218,600	258,700	329,000
BLOWER SECTION									
Airflow - CFM		3,300	4,400	5,500	5,600	8,000	9,000	10,000	14,000
Standard motor - horsepower		3	3	5	5	5	7.5	7.5	3
External static pressure (E.S.P.) - inches of W.G.		0.5	0.5	0.5	0.5	0.5	0.5	0.5	0.5
Number of motors/fans		1/1	1/1	1/1	1/1	1/2	1/2	1/2	3/3
Maximum E.S.P. (Standard Motor)	Downflow	0.9	1.2	1.2	1.1	1.2	1.5	1.0	0.6
	Upflow	0.7	0.9	1.0	0.6	0.9	1.1	1.6	0.5
Maximum E.S.P. (Next Size Motor)	Downflow	1.5	1.5	1.2	1.1	1.5	1.5	1.5	1.5
	Upflow	1.5	1.5	0.9	1.0	1.5	1.5	1.5	1.5
Next size motor - horsepower		5	5	7.5	7.5	7.5	10	10	5
COMPRESSORS									
Type:									
Hermetic scroll		Standard	Standard	Standard	Standard	Standard	Standard	Standard	Standard
Semi-hermetic		N/A	N/A	N/A	N/A	N/A	N/A	N/A	N/A
Number		2	2	2	2	2	2	2	2
Refrigerant type		R-410A	R-410A	R-410A	R-410A	R-410A	R-410A	R-410A	R-410A
EVAPORATOR COIL									
Face area - sq ft		12.2	12.2	12.2	14.5	24.4	24.4	24.4	32.5
Rows of coils		2	3	4	5	3	4	5	4
Face velocity - fpm		271	361	451	386	328	369	410	431
REHEAT SECTION									
Electric		Standard	Standard	Standard	Standard	Standard	Standard	Standard	Standard
kW		15	15	15	15	22.5	22.5	22.5	30
Capacity - Btu/hr		51,225	51,225	51,225	51,225	76,835	76,835	76,835	102,450
Hot gas		Optional	Optional	Optional	Optional	Optional	Optional	Optional	Optional
Capacity - Btu/hr		26,000	38,000	42,200	48,000	64,000	81,000	101,000	126,000
Steam		Optional	Optional	Optional	Optional	Optional	Optional	Optional	N/A
Capacity - Btu/hr	Downflow	105,500	115,000	121,000	126,000	190,000	210,000	230,000	N/A
	Upflow	60,000	65,000	69,000	72,000	108,000	120,000	130,000	N/A
Hot water		Optional	Optional	Optional	Optional	Optional	Optional	Optional	N/A
Capacity - Btu/hr	Downflow	70,000	81,000	86,000	90,000	130,000	145,000	160,000	N/A
	Upflow	34,300	44,800	47,500	49,400	74,200	82,000	90,700	N/A

AIR COOLED: Performance data at OPTIONAL airflow

MODEL NUMBER DAAD/U-06 DAAD/U-08 DAAD/U-10 DAAD/U-13 DAAD/U-16 DAAD/U-20 DAAD/U-26 DAAD/U-30

HUMIDIFIER SECTION

Steam generator Capacity - lb/hr (Adjustable)	Standard	Standard	Standard	Standard	Standard	Standard	Standard	Standard	Standard
Capacity - lb/hr (Adjustable)	10-30	10-30	10-30	10-30	10-30	10-30	10-30	10-30	10-30
kW	3.3-10.2	3.3-10.2	3.3-10.2	3.3-10.2	3.3-10.2	3.3-10.2	3.3-10.2	3.3-10.2	3.3-10.2
Steam grid Capacity - lb/hr at 15 psi	Optional	Optional	Optional	Optional	Optional	Optional	Optional	Optional	Optional
Capacity - lb/hr at 15 psi	31	31	31	31	31	31	31	31	31

FILTER SECTION

(4 inch thick, MERV 8)

Quantity/Size	Downflow	3/20x25	3/20x25	3/20x25	2/20x25	3/20x25	3/20x25	3/20x25	3/20x25
		-	-	-	2/16x25	2/16x25	2/16x25	2/16x25	4/16x25
	Upflow	2/20x25	2/20x25	2/20x25	1/20x25	2/20x25	2/20x25	2/20x25	2/20x25
		-	-	-	2/16x25	2/16x25	2/16x25	2/16x25	4/16x25
Efficiency - MERV		8	8	8	8	8	8	8	8

(Note: Efficiency based on ASHRAE Std. 52.2)

CONNECTION SIZES

Liquid line - O.D. Copper (2 per unit)	1/2	1/2	1/2	5/8	5/8	5/8	7/8	7/8
Hot gas line - O.D. Copper (2 per unit)	1/2	5/8	5/8	3/4	3/4	3/4	7/8	7/8
Suction line* - O.D. Copper (2 per unit)	7/8	7/8	1 1/8	1 1/8	1 3/8	1 3/8	1 3/8	1 3/8
Condensate drain	3/4	3/4	3/4	3/4	3/4	3/4	3/4	3/4
Humidifier supply	1/4	1/4	1/4	1/4	1/4	1/4	1/4	1/4

(Note: Refer to Operation and Maintenance manual for recommended pipe sizing between unit and condenser.)

ELECTRICAL SECTION

Standard Motor

Electrical data based on STANDARD unit: electric reheat - **YES**, steam generator humidifier - **YES**, and STANDARD MOTOR.

208-230/3/60	FLA/MCA/MOP	63/77/80	72/83/90	84/96/110	93/106/110	107/130/150	116/140/150	151/171/200	164/199/225
460/3/60	FLA/MCA/MOP	29/35/40	36/42/45	39/44/50	45/51/60	52/63/70	56/68/70	69/78/90	77/93/110
575/3/60	FLA/MCA/MOP	23/28/30	26/30/35	31/35/40	35/40/45	40/49/50	44/53/60	59/66/80	64/77/90

Electrical data based on: electrical reheat - **NO**, steam generator humidifier - **YES**, and STANDARD MOTOR.

208-230/3/60	FLA/MCA/MOP	63/73/80	72/83/90	84/96/110	93/106/110	103/118/125	115/130/150	151/171/200	165/186/225
460/3/60	FLA/MCA/MOP	29/34/35	36/42/45	39/44/50	45/51/60	53/60/70	59/66/80	69/78/90	79/89/110
575/3/60	FLA/MCA/MOP	22/26/30	26/30/35	31/35/40	35/40/45	40/46/50	45/50/60	59/66/80	68/76/90

Electrical data based on: electrical reheat - **YES**, steam generator humidifier - **NO**, and STANDARD MOTOR.

208-230/3/60	FLA/MCA/MOP	63/77/80	68/83/90	77/92/100	81/98/110	107/130/150	116/140/150	134/162/175	164/199/225
460/3/60	FLA/MCA/MOP	29/35/40	33/40/45	35/42/45	38/46/50	52/63/70	56/68/70	62/74/90	77/93/110
575/3/60	FLA/MCA/MOP	23/28/30	25/30/35	28/34/35	30/36/40	40/49/50	44/53/60	51/62/70	64/77/90

Electrical data based on: electrical reheat - **NO**, steam generator humidifier - **NO**, and STANDARD MOTOR.

208-230/3/60	FLA/MCA/MOP	35/38/50	44/48/60	56/61/80	65/71/90	75/82/110	87/95/125	123/135/175	137/151/200
460/3/60	FLA/MCA/MOP	16/18/20	23/26/35	26/28/35	32/35/45	40/44/60	46/50/60	56/62/80	66/73/100
575/3/60	FLA/MCA/MOP	12/13/15	16/17/20	21/22/30	25/27/35	30/33/45	34/37/50	48/53/70	57/63/80

* Only applicable when compressors are in the condensing unit rather than the evaporator section.

FLA - Full load amps
MCA - Minimum circuit amps (wire sizing amps)
MOP - Maximum rating of the overcurrent protective device

AIR COOLED: Performance data at OPTIONAL airflow

MODEL NUMBER **DAAD/U-06 DAAD/U-08 DAAD/U-10 DAAD/U-13 DAAD/U-16 DAAD/U-20 DAAD/U-26 DAAD/U-30**

ELECTRICAL SECTION		Next Size Motor							
Electrical data based on: electric reheat - YES , steam generator humidifier - YES , and NEXT SIZE MOTOR.									
208-230/3/60	FLA/MCA/MOP	69/83/90	78/90/100	92/105/110	101/115/125	116/139/150	125/149/150	151/171/200	164/199/225
460/3/60	FLA/MCA/MOP	32/38/40	39/44/50	43/49/50	49/56/60	56/67/70	60/72/80	69/78/90	77/93/110
575/3/60	FLA/MCA/MOP	25/30/35	28/32/35	34/39/40	38/43/50	43/52/60	45/54/60	59/66/80	64/77/90

Electrical data based on: electrical reheat - NO , steam generator humidifier - YES , and NEXT SIZE MOTOR.									
208-230/3/60	FLA/MCA/MOP	69/80/90	78/90/100	92/105/110	101/115/125	112/126/150	125/139/150	151/171/200	165/186/225
460/3/60	FLA/MCA/MOP	32/36/40	39/44/50	43/49/50	49/56/60	57/65/70	63/70/80	69/78/90	79/89/110
575/3/60	FLA/MCA/MOP	24/28/30	28/32/35	34/39/40	38/43/50	43/49/50	46/52/60	59/66/80	68/76/90

Electrical data based on: electrical reheat - YES , steam generator humidifier - NO , and NEXT SIZE MOTOR.									
208-230/3/60	FLA/MCA/MOP	69/83/90	74/89/90	85/101/110	90/106/110	116/139/150	125/149/150	134/162/175	164/199/225
460/3/60	FLA/MCA/MOP	32/38/70	35/42/45	39/47/50	43/51/60	56/67/70	60/72/80	62/74/90	77/93/110
575/3/60	FLA/MCA/MOP	25/30/35	27/32/35	31/37/40	33/39/45	43/52/60	45/54/60	51/62/70	64/77/90

Electrical data based on: electrical reheat - NO , steam generator humidifier - NO , and NEXT SIZE MOTOR.									
208-230/3/60	FLA/MCA/MOP	41/44/50	50/54/70	64/69/90	73/79/100	83/91/110	96/104/125	123/135/175	137/151/200
460/3/60	FLA/MCA/MOP	19/20/25	26/28/35	30/33/40	37/40/50	44/49/60	50/54/70	56/62/80	66/73/100
575/3/60	FLA/MCA/MOP	14/15/20	18/19/25	24/26/30	28/30/40	33/36/45	36/39/50	48/53/70	57/63/80

FLA - full load amps MCA - Minimum circuit amps (wire size amps) MOP - Maximum rating of the overcurrent protective device

COMPRESSOR		<i>FLA - full load amps</i>							
208-230/3/60		13.1	17.6	20.5	25.0	30.1	33.3	51.3	55.8
460/3/60		6.1	9.6	9.6	12.8	16.7	17.9	23.1	26.9
575/3/60		4.4	6.1	7.6	9.6	12.2	12.8	19.9	23.7

CONDENSER		<i>Remote air cooled outdoor</i>							
Standard selection at 95° F ambient and sea level									
Evaporator model	DAAD/U-06	DAAD/U-08	DAAD/U-10	DAAD/U-13	DAAD/U-16	DAAD/U-20	DAAD/U-26	DAAD/U-30	
Condenser model	DARC-07	DARC-09	DARC-11	DARC-15	DARC-17	DARC-21	DARC-28	DARC-30	
Selection at 100° F ambient and sea level									
Evaporator model	DAAD/U-06	DAAD/U-08	DAAD/U-10	DAAD/U-13	DAAD/U-16	DAAD/U-20	DAAD/U-26	DAAD/U-30	
Condenser model	DARC-07	DARC-11	DARC-15	DARC-17	DARC-21	DARC-24	DARC-30	DARC-40	
Selection at 105° F ambient and sea level									
Evaporator model	DAAD/U-06	DAAD/U-08	DAAD/U-10	DAAD/U-13	DAAD/U-16	DAAD/U-20	DAAD/U-26	DAAD/U-30	
Condenser model	DARC-11	DARC-15	DARC-15	DARC-21	DARC-24	DARC-30	DARC-40	DARC-50	

* * * The following section has no reference to column headings * * *

EVAPORATOR FAN MOTOR		<i>FLA - full load amps</i>							
Horsepower		1.0	1.5	2.0	3.0	5.0	7.5	10.0	
208-230/3/60		3.6	4.8	6.2	9.0	14.6	23.0	29.0	
460/3/60		1.8	2.4	3.1	4.4	6.6	11.0	14.0	
575/3/60		1.4	2.0	2.5	3.3	5.3	8.6	10.0	

WATER COOLED: Performance data at STANDARD airflow

MODEL NUMBER *DAWD/U-06* *DAWD/U-08* *DAWD/U-10* *DAWD/U-13* *DAWD/U-16* *DAWD/U-20* *DAWD/U-26* *DAWD/U-30*

CAPACITY in BTU/hr - Gross									
80° F/67° WB 50% RH	Total	86,600	121,200	143,900	184,100	238,500	298,200	365,900	430,800
	Sensible	62,200	89,800	112,500	134,000	169,700	217,500	259,400	318,500
75° DB/62.5°WB 50% RH	Total	80,600	112,800	134,200	171,400	221,200	277,500	339,700	401,400
	Sensible	60,100	86,800	108,600	129,700	164,000	210,400	251,000	308,200
75° DB/61° WB 45% RH	Total	78,100	109,200	130,700	166,300	215,300	269,700	329,600	389,100
	Sensible	64,000	92,500	116,400	138,000	174,700	224,200	266,600	328,200
72° DB/60° WB 50% RH	Total	77,000	107,700	128,400	163,700	210,800	265,000	324,000	383,800
	Sensible	58,900	85,000	106,300	127,100	160,600	206,100	245,900	302,000
72° DB/58.6° WB 45% RH	Total	74,900	104,300	124,700	159,700	206,100	258,000	315,200	374,400
	Sensible	62,300	89,700	112,700	134,400	169,900	217,800	259,200	319,800

BLOWER SECTION									
Airflow - CFM		2,700	3,600	4,500	4,800	6,400	8,000	9,000	12,000
Standard motor - horsepower		2	2	3	3	3	5	7.5	3
External static pressure (E.S.P.) - inches of W.G.		0.5	0.5	0.5	0.5	0.5	0.5	0.5	0.5
Number of motors/fans		1/1	1/1	1/1	1/1	1/2	1/2	1/2	3/3
Maximum E.S.P. (Standard Motor)	<i>Downflow</i>	0.8	1.0	1.2	0.7	1.0	1.2	1.5	1.5
	<i>Upflow</i>	0.7	0.9	1.0	0.6	0.9	1.1	1.5	1.5
Maximum E.S.P. (Next Size Motor)	<i>Downflow</i>	0.9	1.5	1.5	1.5	1.4	1.5	1.5	1.5
	<i>Upflow</i>	0.9	1.5	1.5	1.5	1.3	1.5	1.5	1.5
Next size motor - horsepower		3	3	5	5	5	7.5	10	5

COMPRESSORS									
Type:									
Hermetic Scroll	Standard	Standard	Standard	Standard	Standard	Standard	Standard	Standard	Standard
Semi-Hermetic	N/A	N/A	N/A	N/A	N/A	N/A	N/A	N/A	N/A
Number	2	2	2	2	2	2	2	2	2
Refrigerant type	R-410A	R-410A	R-410A	R-410A	R-410A	R-410A	R-410A	R-410A	R-410A

EVAPORATOR COIL									
Face area - sq ft		12.2	12.2	12.2	14.5	24.4	24.4	24.4	32.5
Rows of coils		2	3	4	5	3	4	5	4
Face velocity - fpm		221	295	369	331	262	328	369	369

REHEAT SECTION									
Electric		Standard	Standard	Standard	Standard	Standard	Standard	Standard	Standard
	kW	15	15	15	15	22.5	22.5	22.5	30
Capacity - Btu/hr		51,225	51,225	51,225	51,225	76,835	76,835	76,835	102,450
Hot gas		Optional	Optional	Optional	Optional	Optional	Optional	Optional	Optional
	Capacity - Btu/hr	26,000	38,000	42,200	48,000	64,000	81,000	101,000	126,000
Steam		Optional	Optional	Optional	Optional	Optional	Optional	Optional	N/A
	Capacity - Btu/hr	<i>Downflow</i> <i>Upflow</i>	105,500 60,000	115,000 65,000	121,000 69,000	126,000 72,000	190,000 108,000	210,000 120,000	230,000 130,000
Hot water		Optional	Optional	Optional	Optional	Optional	Optional	Optional	N/A
	Capacity - Btu/hr	<i>Downflow</i> <i>Upflow</i>	70,000 34,300	81,000 44,800	86,000 47,500	90,000 49,400	130,000 74,200	145,000 82,000	160,000 90,700

WATER COOLED: Performance data at STANDARD airflow

MODEL NUMBER DAWD/U-06 DAWD/U-08 DAWD/U-10 DAWD/U-13 DAWD/U-16 DAWD/U-20 DAWD/U-26 DAWD/U-30

HUMIDIFIER SECTION									
Steam generator	Standard	Standard	Standard	Standard	Standard	Standard	Standard	Standard	Standard
Capacity in lb/hr (Adjustable)	10-30	10-30	10-30	10-30	10-30	10-30	10-30	10-30	10-30
kW	3.3-10.2	3.3-10.2	3.3-10.2	3.3-10.2	3.3-10.2	3.3-10.2	3.3-10.2	3.3-10.2	3.3-10.2
Steam grid	Optional	Optional	Optional	Optional	Optional	Optional	Optional	Optional	Optional
Capacity in lb/hr at 15 psi	31	31	31	31	31	31	31	31	31

FILTER SECTION									
Quantity/size	<i>Downflow</i>	3/20x25	3/20x25	3/20x25	2/20x25	3/20x25	3/20x25	3/20x25	3/20x25
	-	-	-	2/16x25	2/16x25	2/16x25	2/16x25	2/16x25	4/16x25
	<i>Upflow</i>	2/20x25	2/20x25	2/20x25	1/20x25	2/20x25	2/20x25	2/20x25	2/20x25
	-	-	-	2/16x25	2/16x25	2/16x25	2/16x25	2/16x25	4/16x25
Efficiency - MERV	8	8	8	8	8	8	8	8	8
(Note: Efficiency based on ASHRAE Std. 52.2)									

CONDENSER WATER REQMENTS									
(Maximum design water pressure 150 psi - high pressure valves optional.)									
Using 65°F EWT GPM/ΔP in psi	7.1/2.0	9.5/3.0	11.9/3.5	19.0/4.0	19.0/4.0	23.8/4.0	29.7/6.0	35.0/6.5	35.0/6.5
Using 75° F EWT GPM/ΔP in psi	11.1/3.0	14.8/3.5	18.6/4.0	29.7/4.5	29.7/4.5	37.1/4.5	46.4/7.0	52.0/8.0	52.0/8.0
Using 85°F EWT GPM/ΔP in psi	15.8/4.0	21.0/4.0	26.2/5.0	42.0/7.0	42.0/7.0	52.5/7.0	62.6/10.5	72.0/12.0	72.0/12.0

CONNECTION SIZES									
Condenser water supply	1-5/8	1-5/8	1-5/8	1-5/8	2-1/8	2-1/8	2-1/8	2-1/8	2-1/8
Condenser water return	1-5/8	1-5/8	1-5/8	1-5/8	2-1/8	2-1/8	2-1/8	2-1/8	2-1/8
Condensate drain	3/4	3/4	3/4	3/4	3/4	3/4	3/4	3/4	3/4
Humidifier supply	1/4	1/4	1/4	1/4	1/4	1/4	1/4	1/4	1/4

ELECTRICAL SECTION									
Standard Motor									

Electrical data based on STANDARD UNIT: electric reheat - **YES**, steam generator humidifier - **YES**, and STANDARD MOTOR.

208-230/3/60	FLA/MCA/MOP	61/75/80	70/81/90	78/90/100	87/100/110	101/124/125	110/134/150	151/171/200	164/199/225
460/3/60	FLA/MCA/MOP	28/34/35	35/41/45	36/42/45	43/49/50	49/60/70	53/64/70	69/78/90	77/93/110
575/3/60	FLA/MCA/MOP	22/27/30	25/29/30	29/33/35	33/38/45	38/47/50	41/50/60	59/66/80	64/77/90

Electrical data based on: electric reheat - **NO**, steam generator humidifier - **YES**, and STANDARD MOTOR.

208-230/3/60	FLA/MCA/MOP	61/71/80	70/81/90	78/90/100	87/100/110	97/112/125	110/125/150	151/171/200	165/186/225
460/3/60	FLA/MCA/MOP	28/33/35	35/41/45	36/42/45	43/49/50	50/58/70	55/63/70	69/78/90	79/89/110
575/3/60	FLA/MCA/MOP	22/25/30	25/29/30	29/33/35	33/38/45	38/44/50	41/47/50	59/66/80	68/76/90

Electrical data based on: electric reheat - **YES**, steam generator humidifier - **NO**, and STANDARD MOTOR.

208-230/3/60	FLA/MCA/MOP	61/75/80	65/80/90	71/86/90	75/92/100	101/124/125	110/134/150	134/162/175	164/199/225
460/3/60	FLA/MCA/MOP	28/34/35	31/39/40	33/40/45	36/44/50	49/60/70	53/64/70	62/74/90	77/93/110
575/3/60	FLA/MCA/MOP	22/27/30	24/29/30	26/32/35	28/34/40	38/47/50	41/50/60	51/62/70	64/77/90

Electrical data based on: electric reheat - **NO**, steam generator humidifier - **NO**, and STANDARD MOTOR.

208-230/3/60	FLA/MCA/MOP	32/36/45	41/46/60	49/55/70	58/65/90	69/76/100	81/90/110	123/135/175	137/151/200
460/3/60	FLA/MCA/MOP	15/17/20	22/25/30	23/26/35	30/33/45	38/42/50	42/47/60	56/62/80	66/73/100
575/3/60	FLA/MCA/MOP	11/12/15	15/16/20	19/20/25	23/25/30	28/31/40	31/34/45	48/53/70	57/63/80

FLA - Full load amps

MCA - Minimum circuit amps (wire sizing amps)

MOP - Maximum rating of the overcurrent protective device

WATER COOLED: Performance data at STANDARD airflow

MODEL NUMBER DAWD/U-06 DAWD/U-08 DAWD/U-10 DAWD/U-13 DAWD/U-16 DAWD/U-20 DAWD/U-26 DAWD/U-30

ELECTRICAL SECTION	Next Size Motor
---------------------------	------------------------

Electrical data based on: electric reheat - **YES**, steam generator humidifier - **YES**, and NEXT SIZE MOTOR.

208-230/3/60	FLA/MCA/MOP	63/77/80	72/83/90	84/96/110	93/106/110	107/130/150	116/140/150	161/181/225	183/218/253
460/3/60	FLA/MCA/MOP	29/35/40	36/42/45	39/44/50	45/51/60	52/63/70	56/68/70	73/82/100	84/101/110
575/3/60	FLA/MCA/MOP	23/28/30	26/30/35	31/35/40	35/40/45	40/49/50	44/53/60	60/68/80	70/83/90

Electrical data based on: electric reheat - **NO**, steam generator humidifier - **YES**, and NEXT SIZE MOTOR.

208-230/3/60	FLA/MCA/MOP	63/73/80	72/83/90	84/96/110	93/106/110	103/118/125	115/130/150	161/181/225	184/205/253
460/3/60	FLA/MCA/MOP	29/34/35	36/42/45	39/44/50	45/51/60	53/60/70	59/66/80	73/82/100	86/96/110
575/3/60	FLA/MCA/MOP	22/26/30	26/30/35	31/35/40	35/40/45	40/46/50	45/50/60	60/68/80	74/82/100

Electrical data based on: electric reheat - **YES**, steam generator humidifier - **NO**, and NEXT SIZE MOTOR.

208-230/3/60	FLA/MCA/MOP	63/77/80	68/83/90	77/92/100	81/98/110	107/130/150	116/140/150	144/172/200	183/218/253
460/3/60	FLA/MCA/MOP	29/35/40	33/40/45	35/42/45	38/46/50	52/63/70	56/68/70	65/78/90	84/101/110
575/3/60	FLA/MCA/MOP	23/28/30	25/30/35	28/34/35	30/36/40	40/49/50	44/53/60	53/63/70	70/83/90

Electrical data based on: electric reheat - **NO**, steam generator humidifier - **NO**, and NEXT SIZE MOTOR.

208-230/3/60	FLA/MCA/MOP	35/38/50	44/48/60	56/61/80	65/71/90	75/82/110	87/95/125	133/145/175	155/169/225
460/3/60	FLA/MCA/MOP	16/18/20	23/26/35	26/28/35	32/35/45	40/44/60	46/50/60	60/66/80	74/80/100
575/3/60	FLA/MCA/MOP	12/13/15	16/17/20	21/22/30	25/27/35	30/33/45	34/37/50	50/55/70	63/69/90

FLA - Full load amps
 MCA - Minimum circuit amps (wire sizing amps)
 MOP - Maximum rating of the overcurrent protective device

COMPRESSOR	<i>FLA - full load amps</i>
-------------------	-----------------------------

208-230/3/60	13.1	17.6	20.5	25.0	30.1	33.3	51.3	55.8
460/3/60	6.1	9.6	9.6	12.8	16.7	17.9	23.1	26.9
575/3/60	4.4	6.1	7.6	9.6	12.2	12.8	19.9	23.7

* * * The following section has no reference to column headings * * *

EVAPORATOR FAN MOTOR	<i>FLA - full load amps</i>
-----------------------------	-----------------------------

Horsepower	1.0	1.5	2.0	3.0	5.0	7.5	10.0
208-230/3/60	3.6	4.8	6.2	9.0	14.6	23.0	29.0
460/3/60	1.8	2.4	3.1	4.4	6.6	11.0	14.0
575/3/60	1.4	2.0	2.5	3.3	5.3	8.6	10.0

* Units with Energy Saver or Auxiliary Chilled Water Coils have different filter quantities as those listed in this section. Refer to dimensional data sheets.

WATER COOLED: Performance data at OPTIONAL airflow

MODEL NUMBER DAWD/U-06 DAWD/U-08 DAWD/U-10 DAWD/U-13 DAWD/U-16 DAWD/U-20 DAWD/U-26 DAWD/U-30

CAPACITY in Btu/hr - Gross									
80° F/67° WB 50% RH	Total	89,100	125,100	148,700	188,700	248,600	302,500	373,200	444,100
	Sensible	68,500	99,900	126,300	145,600	190,600	230,800	274,100	347,000
75° DB/62.5° WB 50% RH	Total	83,300	116,400	138,100	175,800	231,200	282,200	347,000	413,500
	Sensible	66,200	96,200	121,200	140,500	183,900	223,100	265,000	334,600
75° DB/61° WB 45% RH	Total	80,600	113,000	134,000	170,700	224,100	274,300	337,200	401,300
	Sensible	70,700	103,100	130,300	150,200	196,400	238,500	282,500	357,900
72° DB/60° WB 50% RH	Total	79,800	111,200	131,800	168,100	220,800	270,100	331,200	395,100
	Sensible	64,800	94,000	118,200	137,500	179,800	218,500	259,500	327,200
72° DB/58.6° WB 45% RH	Total	77,800	108,200	128,800	164,000	214,600	263,800	324,000	384,500
	Sensible	68,900	99,900	126,300	146,000	190,500	231,900	274,900	347,200

BLOWER SECTION									
Airflow - CFM		3,300	4,400	5,500	5,600	8,000	9,000	10,000	14,000
Standard motor - horsepower		3	3	5	5	5	7.5	7.5	3
External static pressure (E.S.P.) - inches of W.G.		0.5	0.5	0.5	0.5	0.5	0.5	0.5	0.5
Number of motors/fans		1/1	1/1	1/1	1/1	1/2	1/2	1/2	3/3
Maximum E.S.P. (Standard motor)	<i>Downflow</i>	0.9	1.2	1.2	1.1	1.2	1.5	1.0	0.6
	<i>Upflow</i>	0.7	0.9	1.0	0.6	0.9	1.1	1.6	0.5
Maximum E.S.P. (Next Size Motor)	<i>Downflow</i>	1.5	1.5	1.2	1.1	1.5	1.5	1.5	1.5
	<i>Upflow</i>	1.5	1.5	0.9	1.0	1.5	1.5	1.5	1.5
Next size motor - horsepower		5	5	7.5	7.5	7.5	10	10	5

COMPRESSORS									
Type:									
Hermetic Scroll		Standard	Standard	Standard	Standard	Standard	Standard	Standard	Standard
Semi-Hermetic		N/A	N/A	N/A	N/A	N/A	N/A	N/A	N/A
Number		2	2	2	2	2	2	2	2
Refrigerant type		R-410A	R-410A	R-410A	R-410A	R-410A	R-410A	R-410A	R-410A

EVAPORATOR COIL									
Face area in sq ft		12.2	12.2	12.2	14.5	24.4	24.4	24.4	32.5
Rows of coils		2	3	4	5	3	4	5	4
Face velocity in fpm		271	361	451	386	328	369	410	431

REHEAT SECTION									
Electrical									
kW		Standard 15	Standard 15	Standard 15	Standard 15	Standard 22.5	Standard 22.5	Standard 22.5	Standard 30
Capacity - Btu/hr		51,225	51,225	51,225	51,225	76,835	76,835	76,835	102,450
Hot gas									
Capacity - Btu/hr		Optional 26,000	Optional 38,000	Optional 42,200	Optional 48,000	Optional 64,000	Optional 81,000	Optional 101,000	Optional 126,000
Steam									
Capacity - Btu/hr		Optional	Optional	Optional	Optional	Optional	Optional	Optional	N/A
	<i>Downflow</i>	105,500	115,000	121,000	126,000	190,000	210,000	230,000	N/A
	<i>Upflow</i>	60,000	65,000	69,000	72,000	108,000	120,000	130,000	N/A
Hot water									
Capacity - Btu/hr		Optional	Optional	Optional	Optional	Optional	Optional	Optional	N/A
	<i>Downflow</i>	70,000	81,000	86,000	90,000	130,000	145,000	160,000	N/A
	<i>Upflow</i>	34,300	44,800	47,500	49,400	74,200	82,000	90,700	N/A

WATER COOLED: Performance data at OPTIONAL airflow

MODEL NUMBER **DAWD/U-06** **DAWD/U-08** **DAWD/U-10** **DAWD/U-13** **DAWD/U-16** **DAWD/U-20** **DAWD/U-26** **DAWD/U-30**

HUMIDIFIER SECTION

Steam generator	Standard	Standard	Standard	Standard	Standard	Standard	Standard	Standard
Capacity in lb/hr (Adjustable)	10-30	10-30	10-30	10-30	10-30	10-30	10-30	10-30
kW	3.3-10.2	3.3-10.2	3.3-10.2	3.3-10.2	3.3-10.2	3.3-10.2	3.3-10.2	3.3-10.2
Steam grid	Optional	Optional	Optional	Optional	Optional	Optional	Optional	Optional
Capacity in lb/hr at 15 psi	31	31	31	31	31	31	31	31

FILTER SECTION

(4 inch thick, MERV 8)

Quantity/Size	<i>Downflow</i>	3/20x25	3/20x25	3/20x25	2/20x25	3/20x25	3/20x25	3/20x25	3/20x25
		-	-	-	2/16x25	2/16x25	2/16x25	2/16x25	4/16x25
	<i>Upflow</i>	2/20x25	2/20x25	2/20x25	1/20x25	2/20x25	2/20x25	2/20x25	2/20x25
		-	-	-	2/16x25	2/16x25	2/16x25	2/16x25	4/16x25
Efficiency - MERV		8	8	8	8	8	8	8	8

(Note: Efficiency based on ASHRAE Std. 52.2)

CONDENSER WATER

Requirements (Maximum design water pressure 150 psi - high pressure valves optional.)

Using 65° F EWT GPM/ΔP in psi	7.1/2.0	9.5/3.0	11.9/3.5	19.0/4.0	19.0/4.0	23.8/4	29.7/6.0	35.0/6.5
Using 75° F EWT GPM/ΔP in psi	11.1/3.0	14.8/3.5	18.6/4.0	29.7/4.5	29.7/4.5	37.1/4.5	46.4/7.0	52.0/8.0
Using 85° F EWT GPM/ΔP in psi	15.8/4.0	21.0/4.0	26.2/5.0	42.0/7.0	42.0/7.0	52.5/7.0	62.6/10.5	72.0/12.0

CONNECTION SIZES

Condenser water supply	1-5/8	1-5/8	1-5/8	1-5/8	2-1/8	2-1/8	2-1/8	2-1/8
Condenser water return	1-5/8	1-5/8	1-5/8	1-5/8	2-1/8	2-1/8	2-1/8	2-1/8
Condensate drain	3/4	3/4	3/4	3/4	3/4	3/4	3/4	3/4
Humidifier supply	1/4	1/4	1/4	1/4	1/4	1/4	1/4	1/4

ELECTRICAL SECTION

Standard Motor

Electrical data based on STANDARD unit: electric reheat - **YES**, steam generator humidifier - **YES**, and STANDARD MOTOR.

208-230/3/60	FLA/MCA/MOP	63/77/80	72/83/90	84/96/110	93/106/110	107/130/150	116/140/150	151/171/200	164/199/225
460/3/60	FLA/MCA/MOP	29/35/40	36/42/45	39/44/50	45/51/60	52/63/70	56/68/70	69/78/90	77/93/110
575/3/60	FLA/MCA/MOP	23/28/30	26/30/35	31/35/40	35/40/45	40/49/50	44/53/60	59/66/80	64/77/90

Electrical data based on: electric reheat - **NO**, steam generator humidifier - **YES**, and STANDARD MOTOR.

208-230/3/60	FLA/MCA/MOP	63/73/80	72/83/90	84/96/110	93/106/110	103/118/125	115/130/150	151/171/200	165/186/225
460/3/60	FLA/MCA/MOP	29/34/35	36/42/45	39/44/50	45/51/60	53/60/70	59/66/80	69/78/90	79/89/110
575/3/60	FLA/MCA/MOP	22/26/30	26/30/35	31/35/40	35/40/45	40/46/50	45/50/60	59/66/80	68/76/90

Electrical data based on: electric reheat - **YES**, steam generator humidifier - **NO**, and STANDARD MOTOR.

208-230/3/60	FLA/MCA/MOP	63/77/80	68/83/90	77/92/100	81/98/110	107/130/150	116/140/150	134/162/175	164/199/225
460/3/60	FLA/MCA/MOP	29/35/40	33/40/45	35/42/45	38/46/50	52/63/70	56/68/70	62/74/90	77/93/110
575/3/60	FLA/MCA/MOP	23/28/30	25/30/35	28/34/35	30/36/40	40/49/50	44/53/60	51/62/70	64/77/90

Electrical data based on: electric reheat - **NO**, steam generator humidifier - **NO**, and STANDARD MOTOR.

208-230/3/60	FLA/MCA/MOP	35/38/50	44/48/60	56/61/80	65/71/90	75/82/110	87/95/125	123/135/175	137/151/200
460/3/60	FLA/MCA/MOP	16/18/20	23/26/35	26/28/35	32/35/45	40/44/60	46/50/60	56/62/80	66/73/100
575/3/60	FLA/MCA/MOP	12/13/15	16/17/20	21/22/30	25/27/35	30/33/45	34/37/50	48/53/70	57/63/80

FLA - Full load amps

MCA - Minimum circuit amps (wire size amps)

MOP - Maximum rating of the overcurrent protective device

WATER COOLED: Performance data at OPTIONAL airflow

MODEL NUMBER **DAWD/U-06** **DAWD/U-08** **DAWD/U-10** **DAWD/U-13** **DAWD/U-16** **DAWD/U-20** **DAWD/U-26** **DAWD/U-30**

ELECTRICAL SECTION		Next Size Motor								
<u>Electrical data based on STANDARD unit: electric reheat - YES, steam generator humidifier - YES, and NEXT SIZE MOTOR.</u>										
208-230/3/60	FLA/MCA/MOP	69/83/90	78/90/100	92/105/110	101/115/125	116/139/150	125/149/150	151/171/200	164/199/225	
460/3/60	FLA/MCA/MOP	32/38/40	39/44/80	43/49/50	49/56/60	56/67/70	60/72/80	69/78/90	77/93/110	
575/3/60	FLA/MCA/MOP	23/28/30	28/32/35	34/39/40	38/43/50	43/52/60	45/54/60	59/66/80	64/77/90	
<u>Electrical data based on: electric reheat - NO, steam generator humidifier - YES, and NEXT SIZE MOTOR.</u>										
208-230/3/60	FLA/MCA/MOP	69/80/90	78/90/100	92/105/110	101/115/125	112/126/150	124/139/150	151/171/200	165/186/225	
460/3/60	FLA/MCA/MOP	32/36/40	39/44/50	43/49/50	49/56/60	57/65/70	63/70/80	69/78/90	79/89/110	
575/3/60	FLA/MCA/MOP	22/26/30	28/32/35	34/39/40	38/43/50	43/49/50	46/52/60	59/66/80	68/76/90	
<u>Electrical data based on: electric reheat - YES, steam generator humidifier - NO, and NEXT SIZE MOTOR.</u>										
208-230/3/60	FLA/MCA/MOP	69/83/90	74/89/90	85/101/110	90/106/110	116/13/150	125/149/150	134/162/175	164/199/225	
460/3/60	FLA/MCA/MOP	32/38/40	35/42/45	39/47/50	43/51/60	56/67/70	60/72/80	62/74/90	77/93/110	
575/3/60	FLA/MCA/MOP	23/28/30	27/32/35	31/37/40	33/39/45	43/52/60	45/54/60	51/62/70	64/77/90	
<u>Electrical data based on: electric reheat - NO, steam generator humidifier - NO, and NEXT SIZE MOTOR.</u>										
208-230/3/60	FLA/MCA/MOP	41/44/50	50/54/70	64/69/90	73/79/100	83/91/110	96/104/125	123/135/175	137/151/200	
460/3/60	FLA/MCA/MOP	19/20/25	26/28/35	30/33/40	37/40/50	44/49/60	50/54/70	56/62/80	66/73/100	
575/3/60	FLA/MCA/MOP	19/20/25	18/19/25	24/26/40	28/30/40	33/36/45	36/39/50	48/53/70	57/63/80	

FLA - full load amps MCA - Minimum circuit amps (wire size amps) MOP - Maximum rating of the overcurrent protective device

COMPRESSOR		<i>FLA - full load amps</i>								
208-230/3/60		13.1	17.6	20.5	25.0	30.1	33.3	51.3	55.8	
460/3/60		6.1	7.6	9.6	12.8	16.7	17.9	23.1	26.9	
575/3/60		4.4	6.1	7.6	9.6	12.2	12.8	19.9	23.7	

*** * * The following section has no reference to column headings * * ***

EVAPORATOR		<i>Fan motor FLA - full load amp</i>							
Horsepower		1.0	1.5	2.0	3.0	5.0	7.5	10.0	
208-230/3/60		3.6	4.8	6.2	9.0	14.6	23.0	29.0	
460/3/60		1.8	2.4	3.1	4.4	6.6	11.0	14.0	
575/3/60		1.4	2.0	2.5	3.3	5.3	8.6	10.0	

* Units with Energy Saver or Auxiliary Chilled Water Coils have different filter quantities as those listed in this section. Refer to dimensional data sheets.

GLYCOL COOLED: Performance data at STANDARD airflow

MODEL NUMBER		DAGD/U-06	DAGD/U-08	DAGD/U-10	DAGD/U-13	DAGD/U-16	DAGD/U-20	DAGD/U-26	DAGD/U-30
CAPACITY in Btu/hr - Gross									
80° F/67° WB 50% RH	Total	74,600	104,800	124,400	159,700	208,600	258,100	317,000	375,400
	Sensible	57,500	83,400	105,000	124,200	157,800	201,600	239,500	296,800
75° DB/62.5° WB 50% RH	Total	69,400	97,300	115,400	148,400	193,400	239,100	294,500	348,800
	Sensible	55,400	80,300	100,800	119,800	152,000	193,900	231,100	285,800
75° DB/61° WB 45% RH	Total	66,700	94,200	111,600	144,200	187,500	231,400	285,300	338,100
	Sensible	59,000	85,800	108,000	128,100	162,200	207,100	246,400	305,700
72° DB/60° WB 50% RH	Total	66,300	92,800	110,000	141,700	184,300	227,800	281,000	332,800
	Sensible	54,200	78,400	98,300	117,100	148,600	189,300	226,100	279,200
72° DB/58.6° WB 45% RH	Total	64,600	90,100	107,300	138,200	180,000	220,800	274,500	323,500
	Sensible	57,600	83,200	104,900	124,400	157,700	200,600	240,000	296,400
BLOWER SECTION									
Airflow - CFM		2,700	3,600	4,500	4,800	6,400	8,000	9,000	12,000
Standard motor - horsepower		2	2	3	3	3	5	7.5	3
External static pressure (E.S.P.) - inches of W.G.		0.5	0.5	0.5	0.5	0.5	0.5	0.5	0.5
Number of motors/fans		1/1	1/1	1/1	1/1	1/2	1/2	1/2	3/3
Maximum E.S.P. (Standard motor)	<i>Downflow</i>	0.8	1.0	1.2	0.7	1.0	1.2	1.5	1.5
	<i>Upflow</i>	0.7	0.9	1.0	0.6	0.9	1.1	1.5	1.5
Maximum E.S.P. (Next Size Motor)	<i>Downflow</i>	0.9	1.5	1.5	1.5	1.4	1.5	1.5	1.5
	<i>Upflow</i>	0.9	1.5	1.5	1.5	1.3	1.5	1.5	1.5
Next size motor - horsepower		3	3	5	5	5	7.5	10	5
COMPRESSORS									
Type:									
Hermetic Scroll		Standard	Standard	Standard	Standard	Standard	Standard	Standard	Standard
Semi-Hermetic		N/A	N/A	N/A	N/A	N/A	N/A	N/A	N/A
Number		2	2	2	2	2	2	2	2
Refrigerant type		R-410A	R-410A	R-410A	R-410A	R-410A	R-410A	R-410A	R-410A
EVAPORATOR COIL									
Face area - sq ft		12.2	12.2	12.2	14.5	24.4	24.4	24.4	32.5
Rows of coils		2	3	4	5	3	4	5	4
Face velocity - fpm		221	295	369	331	262	328	369	369
REHEAT SECTION									
Electric		Standard	Standard	Standard	Standard	Standard	Standard	Standard	Standard
kW		15	15	15	15	22.5	22.5	22.5	30
Capacity - Btu/hr		51,225	51,225	51,225	51,225	76,835	76,835	76,835	102,450
Hot gas		Optional	Optional	Optional	Optional	Optional	Optional	Optional	Optional
Capacity - Btu/hr		26,000	38,000	42,200	48,000	64,000	81,000	101,000	126,000
Steam		Optional	Optional	Optional	Optional	Optional	Optional	Optional	N/A
Capacity - Btu/hr	<i>Downflow</i>	105,500	115,000	121,000	126,000	190,000	210,000	230,000	N/A
	<i>Upflow</i>	60,000	65,000	69,000	72,000	108,000	120,000	130,000	N/A
Hot Water		Optional	Optional	Optional	Optional	Optional	Optional	Optional	N/A
Capacity - Btu/hr	<i>Downflow</i>	70,000	81,000	86,000	90,000	130,000	145,000	160,000	N/A
	<i>Upflow</i>	34,300	44,800	47,500	49,400	74,200	82,000	90,700	N/A

GLYCOL COOLED: Performance data at STANDARD airflow

MODEL NUMBER *DAGD/U-06* *DAGD/U-08* *DAGD/U-10* *DAGD/U-13* *DAGD/U-16* *DAGD/U-20* *DAGD/U-26* *DAGD/U-30*

HUMIDIFIER SECTION

Steam generator Capacity - lb/hr (Adjustable)	Standard	Standard	Standard	Standard	Standard	Standard	Standard	Standard
kW	10-30	10-30	10-30	10-30	10-30	10-30	10-30	10-30
	3.3-10.2	3.3-10.2	3.3-10.2	3.3-10.2	3.3-10.2	3.3-10.2	3.3-10.2	3.3-10.2
Steam grid Capacity - lb/hr at 15 psi	Optional	Optional	Optional	Optional	Optional	Optional	Optional	Optional
	31	31	31	31	31	31	31	31

FILTER SECTION

Quantity/Size	<i>Downflow</i>	3/20x25	3/20x25	3/20x25	2/20x25 2/16x25	3/20x25 2/16x25	3/20x25 2/16x25	3/20x25 2/16x25	3/20x25 4/16x25
	<i>Upflow</i>	2/20x25	2/20x25	2/20x25	1/20x25 2/16x25	2/20x25 2/16x25	2/20x25 2/16x25	2/20x25 2/16x25	2/20x25 4/16x25
Efficiency - MERV		8	8	8	8	8	8	8	8

(Note: Efficiency based on ASHRAE Std. 52.2)

CONDENSER WATER

Requirements: (Maximum design water pressure 150 psi - high pressure valves optional.)

Using 65° F EGT GPM/ΔP in psi	7.1/2.0	9.5/3.0	11.9/3.5	19.0/4.0	19.0/4.0	23.8/4.0	29.7/6.0	35.0/6.5
Using 75°F EGT GPM/ΔP in psi	11.1/3.0	14.8/3.5	18.6/4.0	29.7/4.5	29.7/4.5	37.1/4.5	46.4/7.0	52.0/8.0
Using 85° F EGT GPM/ΔP in psi	15.8/4.0	21.0/4.0	26.2/5.0	42.0/7.0	42.0/7.0	52.5/7.0	62.6/10.5	72.0/12.0
Using fluid cooler GPM/ΔP in psi	21.0/5.7	28.0/7.0	35.0/7.5	56.0/9.0	56.0/9.0	70.0/10.0	87.5/14.0	98.0/16.0

CONNECTION SIZES

Condensate water supply	1-5/8	1-5/8	1-5/8	1-5/8	2-1/8	2-1/8	2-1/8	2-1/8
Condensate water return	1-5/8	1-5/8	1-5/8	1-5/8	2-1/8	2-1/8	2-1/8	2-1/8
Condensate drain	3/4	3/4	3/4	3/4	3/4	3/4	3/4	3/4
Humidifier supply	1/4	1/4	1/4	1/4	1/4	1/4	1/4	1/4

ELECTRICAL SECTION

Standard Motor

Electrical data based on STANDARD UNIT, electric reheat - **YES**, steam generator humidifier - **YES**, and STANDARD MOTOR.

208-230/3/60	FLA/MCA/MOP	61/75/80	70/81/90	78/90/100	87/100/110	101/124/125	110/134/150	151/171/200	164/199/225
460/3/60	FLA/MCA/MOP	28/34/35	35/41/45	36/42/45	43/49/50	49/60/70	53/64/70	69/78/90	77/93/110
575/3/60	FLA/MCA/MOP	22/27/30	25/29/30	29/33/35	33/38/45	38/47/50	41/50/60	59/66/80	64/77/90

Electrical data based on: electric reheat - **NO**, steam generator humidifier - **YES**, and STANDARD MOTOR.

208-230/3/60	FLA/MCA/MOP	61/71/80	70/81/90	78/90/100	87/100/110	97/112/125	110/125/150	151/171/200	165/186/225
460/3/60	FLA/MCA/MOP	28/33/35	35/41/45	36/42/45	43/49/50	50/58/70	55/63/70	69/78/90	79/89/110
575/3/60	FLA/MCA/MOP	22/25/30	25/29/30	29/33/35	33/38/45	38/44/50	41/47/50	59/66/80	68/76/90

Electrical data based on: electric reheat - **YES**, steam generator humidifier - **NO**, and STANDARD MOTOR.

208-230/3/60	FLA/MCA/MOP	61/75/80	65/80/90	71/86/90	75/92/100	101/124/125	110/134/150	134/162/175	164/199/225
460/3/60	FLA/MCA/MOP	28/34/35	31/39/40	33/40/45	36/44/50	49/60/70	53/64/70	62/74/90	77/93/110
575/3/60	FLA/MCA/MOP	22/27/30	24/29/30	26/32/35	28/34/40	38/47/50	41/50/60	51/62/70	64/77/90

Electrical data based on: electric reheat - **NO**, steam generator humidifier - **NO**, and STANDARD MOTOR.

208-230/3/60	FLA/MCA/MOP	32/36/45	41/46/60	49/55/70	58/65/90	69/76/100	81/90/110	123/135/175	137/151/200
460/3/60	FLA/MCA/MOP	15/17/20	22/25/30	23/26/35	30/33/45	38/42/50	42/47/60	56/62/80	66/73/100
575/3/60	FLA/MCA/MOP	11/12/15	15/16/20	19/20/25	23/25/30	28/31/40	31/34/45	48/53/70	57/63/80

FLA - Full load amps

MCA - Minimum circuit amps (wire sizing amps)

MOP - Maximum rating of the overcurrent protective device

GLYCOL COOLED: Performance data at STANDARD airflow

MODEL NUMBER **DAGD/U-06** **DAGD/U-08** **DAGD/U-10** **DAGD/U-13** **DAGD/U-16** **DAGD/U-20** **DAGD/U-26** **DAGD/U-30**

ELECTRICAL SECTION

Next Size Motor

Electrical data based on: electric reheat - **YES**, steam generator humidifier - **YES**, and NEXT SIZE MOTOR.

208-230/3/60	FLA/MCA/MOP	63/77/80	72/83/90	84/96/110	93/106/110	107/130/150	116/140/150	161/181/225	183/218/253
460/3/60	FLA/MCA/MOP	29/35/40	36/42/45	38/44/50	45/51/60	52/63/70	56/68/70	73/82/100	84/101/110
575/3/60	FLA/MCA/MOP	23/28/30	26/30/35	31/35/40	35/40/45	40/49/50	44/53/60	60/68/80	70/83/90

Electrical data based on: electric reheat - **NO**, steam generator humidifier - **YES**, and NEXT SIZE MOTOR.

208-230/3/60	FLA/MCA/MOP	63/73/80	72/83/90	84/96/110	93/106/110	103/118/125	115/130/150	161/181/225	184/205/253
460/3/60	FLA/MCA/MOP	29/34/35	36/42/45	39/44/50	45/51/60	53/60/70	59/66/80	73/82/100	86/96/110
575/3/60	FLA/MCA/MOP	22/26/30	26/30/35	31/35/40	35/40/45	40/46/50	45/50/60	60/68/80	74/82/100

Electrical data based on: electric reheat - **YES**, steam generator humidifier - **NO**, and NEXT SIZE MOTOR.

208-230/3/60	FLA/MCA/MOP	63/77/80	68/83/90	77/92/100	81/98/110	107/130/150	116/140/150	144/172/200	183/218/253
460/3/60	FLA/MCA/MOP	29/36/40	33/40/45	35/42/45	38/46/50	52/63/70	56/68/70	65/78/90	84/101/110
575/3/60	FLA/MCA/MOP	23/28/30	25/30/35	28/34/35	30/36/40	40/49/50	44/53/60	53/63/70	70/83/90

Electrical data based on: electric reheat - **NO**, steam generator humidifier - **NO**, and NEXT SIZE MOTOR.

208-230/3/60	FLA/MCA/MOP	35/38/50	44/48/60	56/61/80	65/71/90	75/82/110	87/95/125	133/145/175	155/169/225
460/3/60	FLA/MCA/MOP	16/18/20	23/26/35	26/28/35	32/35/45	40/44/60	46/50/60	60/66/80	74/80/100
575/3/60	FLA/MCA/MOP	12/13/15	16/17/20	21/22/30	25/27/35	30/33/45	34/37/50	50/55/70	63/69/90

FLA - Full load amps MCA - Minimum circuit amps (wire sizing amps) MOP - Maximum rating of the overcurrent protective device

COMPRESSOR

FLA - full load amps

208-230/3/60	13.1	17.6	20.5	25.0	30.1	33.3	51.3	55.8
460/3/60	6.1	9.6	9.6	12.8	16.7	17.9	23.1	26.9
575/3/60	4.4	6.1	7.6	9.6	12.2	12.8	19.9	23.7

OUTDOOR FLUID COOLER

Standard selection at 95° F ambient and sea level

Evaporative model	DAGD/U-06	DAGD/U-08	DAGD/U-10	DAGD/U-13	DAGD/U-16	DAGD/U-20	DAGD/U-26	DAGD/U-30
Fluid cooler model	DAFC-11	DAFC-17	DAFC-17	DAFC-21	DAFC-24	DAFC-37	DAFC-40	DAFC-50

Selection at 100° F ambient and sea level

Evaporative model	DAGD/U-06	DAGD/U-08	DAGD/U-10	DAGD/U-13	DAGD/U-16	DAGD/U-20	DAGD/U-26	DAGD/U-30
Fluid cooler model	DAFC-17	DAFC-21	DAFC-21	DAFC-30	DAFC-30	DAFC-40	DAFC-50	DAFC-61

(NOTE: Refer to pages 59 and 62 for electrical data on fluid coolers.)

* * * The following section has no reference to column headings * * *

EVAPORATOR

FAN MOTOR - FLA - full load amps

Horsepower	1.0	1.5	2.0	3.0	5.0	7.5	10.0
208-230/3/60	3.6	4.8	6.2	9.0	14.6	23.0	29.0
460/3/60	1.8	2.4	3.1	4.4	6.6	11.0	14.0
575/3/60	1.4	2.0	2.5	3.3	5.3	8.6	10.0

* Units with Energy Saver or Auxiliary Chilled Water Coils have different filter quantities as those listed in this section. Refer to dimensional data sheets.

GLYCOL COOLED: Performance data at OPTIONAL airflow

MODEL NUMBER *DAGD/U-06* *DAGD/U-08* *DAGD/U-10* *DAGD/U-13* *DAGD/U-16* *DAGD/U-20* *DAGD/U-26* *DAGD/U-30*

CAPACITY in Btu/hr - Gross									
80° DB/67° WB 50% RH	Total	77,300	107,900	127,300	163,600	215,900	264,500	322,900	384,500
	Sensible	64,100	93,600	117,100	135,800	178,200	216,100	254,100	324,200
75° DB/62.5° WB 50% RH	Total	71,600	100,300	118,100	152,100	200,900	243,800	300,300	357,500
	Sensible	61,500	89,700	112,900	130,600	171,300	207,000	244,900	311,400
75° DB/61° WB 45% RH	Total	69,200	97,200	115,100	146,600	194,700	237,500	290,700	346,900
	Sensible	65,900	96,300	114,700	139,800	183,800	222,500	261,800	334,700
72° DB/60° WB 50% RH	Total	68,200	95,700	112,600	145,200	191,800	231,400	286,800	341,300
	Sensible	59,900	87,400	110,300	127,400	167,200	201,500	239,400	303,800
72° DB/58.6° WB 45% RH	Total	66,700	92,900	110,500	141,700	187,500	226,600	279,400	331,600
	Sensible	64,000	92,500	110,000	135,900	178,400	215,100	254,300	323,600

BLOWER SECTION									
Airflow - CFM		3,300	4,400	5,500	5,600	8,000	9,000	10,000	14,000
Standard motor - horsepower		3	3	5	5	5	7.5	7.5	3
External static pressure (E.S.P.) - inches of W.G.		0.5	0.5	0.5	0.5	0.5	0.5	0.5	0.5
Number of motors/fans		1/1	1/1	1/1	1/1	1/2	1/2	1/2	3/3
Maximum E.S.P. (Standard motor)	<i>Downflow</i>	0.9	1.2	1.2	1.1	1.2	1.5	1.0	0.6
	<i>Upflow</i>	0.7	0.9	1.0	0.6	0.9	1.1	1.5	0.5
Maximum E.S.P. (Next size motor)	<i>Downflow</i>	1.5	1.5	1.2	1.1	1.5	1.5	1.5	1.5
	<i>Upflow</i>	1.5	1.5	0.9	1.0	1.5	1.5	1.5	1.5
Next size motor - horsepower		5	5	7.5	7.5	7.5	10	10	5

COMPRESSORS									
Type:									
Hermetic Scroll	Standard	Standard	Standard	Standard	Standard	Standard	Standard	Standard	Standard
Semi-Hermetic	N/A	N/A	N/A	N/A	N/A	N/A	N/A	N/A	N/A
Number	2	2	2	2	2	2	2	2	2
Refrigerant type	R-410A	R-410A	R-410A	R-410A	R-410A	R-410A	R-410A	R-410A	R-410A

EVAPORATOR COIL									
Face area - sq ft		12.2	12.2	12.2	14.5	24.4	24.4	24.4	32.5
Rows of coils		2	3	4	5	3	4	5	4
Face velocity - fpm		271	361	451	386	328	369	410	431

REHEAT SECTION									
Electric	kW	Standard	Standard	Standard	Standard	Standard	Standard	Standard	Standard
	Capacity - Btu/hr	15	15	15	15	22.5	22.5	22.5	30
Hot gas	Capacity - Btu/hr	51,225	51,225	51,225	51,225	76,835	76,835	76,835	102,450
		Optional	Optional	Optional	Optional	Optional	Optional	Optional	Optional
Steam	Capacity - Btu/hr	Optional	Optional	Optional	Optional	Optional	Optional	Optional	N/A
		<i>Downflow</i>	<i>Downflow</i>	<i>Downflow</i>	<i>Downflow</i>	<i>Downflow</i>	<i>Downflow</i>	<i>Downflow</i>	<i>Downflow</i>
Hot water	Capacity - Btu/hr	105,500	115,000	121,000	126,000	190,000	210,000	230,000	N/A
		<i>Upflow</i>	<i>Upflow</i>	<i>Upflow</i>	<i>Upflow</i>	<i>Upflow</i>	<i>Upflow</i>	<i>Upflow</i>	<i>Upflow</i>
Hot water	Capacity - Btu/hr	Optional	Optional	Optional	Optional	Optional	Optional	Optional	N/A
		<i>Downflow</i>	<i>Downflow</i>	<i>Downflow</i>	<i>Downflow</i>	<i>Downflow</i>	<i>Downflow</i>	<i>Downflow</i>	<i>Downflow</i>
	Capacity - Btu/hr	70,000	81,000	86,000	90,000	130,000	145,000	160,000	N/A
		<i>Upflow</i>	<i>Upflow</i>	<i>Upflow</i>	<i>Upflow</i>	<i>Upflow</i>	<i>Upflow</i>	<i>Upflow</i>	<i>Upflow</i>
		34,300	44,800	47,500	49,400	74,200	82,000	90,700	N/A

GLYCOL COOLED: Performance data at OPTIONAL airflow

MODEL NUMBER *DAGD/U-06* *DAGD/U-08* *DAGD/U-10* *DAGD/U-13* *DAGD/U-16* *DAGD/U-20* *DAGD/U-26* *DAGD/U-30*

HUMIDIFIER SECTION

Steam generator	Standard	Standard	Standard	Standard	Standard	Standard	Standard	Standard
Capacity in lb/hr (Adjustable)	10-30	10-30	10-30	10-30	10-30	10-30	10-30	10-30
kW	3.3-10.2	3.3-10.2	3.3-10.2	3.3-10.2	3.3-10.2	3.3-10.2	3.3-10.2	3.3-10.2
Steam grid	Optional	Optional	Optional	Optional	Optional	Optional	Optional	Optional
Capacity in lb/hr at 15 psi	31	31	31	31	31	31	31	31

FILTER SECTION

Quantity/size	<i>Downflow</i>	3/20x25	3/20x25	3/20x25	2/20x25	3/20x25	3/20x25	3/20x25	3/20x25
		-	-	-	2/16x25	2/16x25	2/16x25	2/16x25	4/16x25
	<i>Upflow</i>	2/20x25	2/20x25	2/20x25	1/20x25	2/20x25	2/20x25	2/20x25	2/20x25
		-	-	-	2/16x25	2/16x25	2/16x25	2/16x25	4/16x25
Efficiency - MERV		8	8	8	8	8	8	8	8

(Note: Efficiency based on ASHRAE Std. 52.2)

CONDENSER WATER

Requirements (Maximum design water pressure 150 psi - high pressure valves optional.)

Using 65° F EGT GPM/ΔP in psi	7.1/2.0	9.5/3.0	11.9/3.5	19.0/4.0	19.0/4.0	23.8/4.0	29.7/6.0	35.0/6.5
Using 75° F EGT GPM/ΔP in psi	11.1/3.0	14.8/3.5	18.6/4.0	29.7/4.5	29.7/4.5	37.1/4.5	46.4/7.0	52.0/8.0
Using 85° F EGT GPM/ΔP in psi	15.8/4.0	21.0/4.0	26.2/5.0	42.0/7.0	42.0/7.0	52.5/7.0	62.6/10.5	72.0/12.0
Using fluid cooler GPM/ΔP in psi	21.0/5.7	28.0/7.0	35.0/7.5	56.0/9.0	56.0/9.0	70.0/10.0	87.5/14.0	98.0/16.0

CONNECTION SIZES

Condenser water supply	1-5/8	1-5/8	1-5/8	1-5/8	2-1/8	2-1/8	2-1/8	2-1/8
Condenser water return	1-5/8	1-5/8	1-5/8	1-5/8	2-1/8	2-1/8	2-1/8	2-1/8
Condensate drain	3/4	3/4	3/4	3/4	3/4	3/4	3/4	3/4
Humidifier supply	1/4	1/4	1/4	1/4	1/4	1/4	1/4	1/4

ELECTRICAL SECTION

Standard Motor

Electrical data based on STANDARD unit, electric reheat - **YES**, steam generator humidifier - **YES**, and STANDARD MOTOR.

208-230/3/60	FLA/MCA/MOP	63/77/80	72/83/90	84/96/110	93/106/110	107/130/150	116/140/150	151/171/200	164/199/225
460/3/60	FLA/MCA/MOP	29/35/40	36/42/45	39/44/50	45/51/60	52/63/70	56/68/70	69/78/90	77/93/110
575/3/60	FLA/MCA/MOP	23/28/30	26/30/35	31/35/40	35/40/45	40/49/50	44/53/60	59/66/80	64/77/90

Electrical data based on, electric reheat - **NO**, steam generator humidifier - **YES**, and STANDARD MOTOR.

208-230/3/60	FLA/MCA/MOP	63/73/80	72/83/90	84/96/110	93/106/110	103/118/125	115/130/150	151/171/200	165/186/225
460/3/60	FLA/MCA/MOP	29/34/35	36/42/45	39/44/50	45/51/60	53/60/70	59/66/80	69/78/90	79/89/110
575/3/60	FLA/MCA/MOP	22/26/30	26/30/35	31/35/40	35/40/45	40/46/50	45/50/60	59/66/80	68/76/90

Electrical data based on, electric reheat - **YES**, steam generator humidifier - **NO**, and STANDARD MOTOR.

208-230/3/60	FLA/MCA/MOP	63/77/80	68/83/90	77/92/100	81/98/110	107/130/150	116/140/150	134/162/175	164/199/225
460/3/60	FLA/MCA/MOP	29/35/40	33/40/45	35/42/45	38/46/50	52/63/70	56/68/70	62/74/90	77/93/110
575/3/60	FLA/MCA/MOP	23/28/30	25/30/35	28/34/35	30/36/40	40/49/50	44/53/60	51/62/70	64/77/90

Electrical data based on, electric reheat - **NO**, steam generator humidifier - **NO**, and STANDARD MOTOR.

208-230/3/60	FLA/MCA/MOP	35/38/50	44/48/60	56/61/80	65/71/90	75/82/110	87/95/125	123/135/175	137/151/200
460/3/60	FLA/MCA/MOP	16/18/20	23/26/35	26/28/35	32/35/45	40/44/60	46/50/60	56/62/80	66/73/100
575/3/60	FLA/MCA/MOP	12/13/15	16/17/20	21/22/30	25/27/35	30/33/45	34/37/50	48/53/70	57/63/80

FLA - Full load amps MCA - Minimum circuit amps (wire sizing amps) MOP - Maximum rating of the overcurrent protective device

GLYCOL COOLED: Performance data at OPTIONAL airflow

MODEL NUMBER *DAGD/U-06* *DAGD/U-08* *DAGD/U-10* *DAGD/U-13* *DAGD/U-16* *DAGD/U-20* *DAGD/U-26* *DAGD/U-30*

ELECTRICAL SECTION

Next size motor

Electrical data based on STANDARD unit, electric reheat - **YES**, steam generator humidifier - **YES**, and NEXT SIZE MOTOR.

208-230/3/60	FLA/MCA/MOP	69/83/90	78/90/100	92/105/110	101/115/125	116/139/150	125/149/150	151/171/200	164/199/225
460/3/60	FLA/MCA/MOP	32/38/40	39/44/50	43/46/50	49/56/60	56/67/70	60/72/80	69/78/90	77/93/110
575/3/60	FLA/MCA/MOP	25/30/35	28/32/35	34/39/40	38/43/50	43/52/60	45/54/60	59/66/80	64/77/90

Electrical data based on, electric reheat - **NO**, steam generator humidifier - **YES**, and NEXT SIZE MOTOR.

208-230/3/60	FLA/MCA/MOP	69/80/90	78/90/100	92/105/110	101/115/125	112/126/150	124/139/150	151/171/200	165/186/225
460/3/60	FLA/MCA/MOP	32/38/40	39/44/50	43/49/50	49/56/60	57/65/70	46/52/60	69/78/90	79/89/110
575/3/60	FLA/MCA/MOP	24/28/30	28/32/35	34/39/40	38/43/50	43/49/50	45/50/60	59/66/80	68/76/90

Electrical data based on, electric reheat - **YES**, steam generator humidifier - **NO**, and NEXT SIZE MOTOR.

208-230/3/60	FLA/MCA/MOP	69/83/90	74/89/90	85/101/110	90/106/110	116/139/150	125/149/150	134/162/175	164/199/225
460/3/60	FLA/MCA/MOP	32/38/40	35/42/50	39/47/50	43/51/60	56/67/70	60/72/80	62/74/90	77/93/110
575/3/60	FLA/MCA/MOP	25/30/35	27/32/35	31/37/40	33/39/45	43/52/60	45/54/60	51/62/70	64/77/90

Electrical data based on, electric reheat - **NO**, steam generator humidifier - **NO**, and NEXT SIZE MOTOR.

208-230/3/60	FLA/MCA/MOP	41/44/50	50/54/70	61/69/90	73/79/100	83/91/110	96/104/125	123/135/175	137/151/200
460/3/60	FLA/MCA/MOP	19/20/25	26/28/35	30/33/40	37/40/50	44/49/60	50/54/70	56/62/80	66/73/100
575/3/60	FLA/MCA/MOP	14/15/20	18/19/25	24/26/30	28/30/40	33/36/45	36/39/50	48/53/70	57/63/80

FLA - Full load amps MCA - Minimum circuit amps (wire sizing amps) MOP - Maximum rating of the overcurrent protective device

COMPRESSOR

FLA - full load amps

208-230/3/60	13.1	17.6	20.5	25.0	30.1	33.3	51.3	55.8
460/3/60	6.1	9.6	9.6	12.8	16.7	17.9	23.1	26.9
575/3/60	4.4	6.1	7.6	9.6	12.2	12.8	19.9	23.7

OUTDOOR FLUID COOLER

Standard selection at 95° F ambient at sea level

Evaporator model	DAGD/U-06	DAGD/U-08	DAGD/U-10	DAGD/U-13	DAGD/U-16	DAGD/U-20	DAGD/U-26	DAGD/U-30
Fluid cooler model	DAFC-11	DAFC-17	DAFC-17	DAFC-21	DAFC-24	DAFC-37	DAFC-40	DAFC-50

Selection at 100° F ambient at sea level

Evaporator model	DAGD/U-06	DAGD/U-08	DAGD/U-10	DAGD/U-13	DAGD/U-16	DAGD/U-20	DAGD/U-26	DAGD/U-30
Fluid cooler model	DAFC-17	DAFC-21	DAFC-21	DAFC-30	DAFC-30	DAFC-40	DAFC-50	DAFC-61

(NOTE: Refer to pages 59 and 62 for electrical data on fluid coolers.)

* * * The following section has no reference to column headings * * *

EVAPORATOR

Fan motor FLA - full load amps

Horsepower	1.0	1.5	2.0	3.0	5.0	7.5	10.0
208-230/3/60	3.6	4.8	6.2	9.0	14.6	23.0	29.0
460/3/60	1.8	2.4	3.1	4.4	6.6	11.0	14.0
575/3/60	1.4	2.0	2.5	3.3	5.3	8.6	10.0

* Units with Energy Saver or Auxiliary Chilled Water Coils have different filter quantities as those listed in this section. Refer to dimensional data sheets.

ENERGY SAVER-GLYCOL COOLED: Performance data at STANDARD airflow

CAPACITY in Btu/hr - Gross

(based on 45° F entering fluid temperature with 40% glycol solution)

MODEL NUMBER		DAGU/D-06	DAGU/D-08	DAGU/D-10	DAGU/D-13	DAGU/D-16	DAGU/D-20	DAGU/D-26	DAGU/D-30
75° DB/62.5° WB 50% RH	Total	69,400	97,300	115,400	148,400	193,400	239,100	294,500	348,800
	Sensible	55,400	80,300	100,800	119,800	152,000	193,900	231,100	285,800
72° DB/60° WB 50% RH	Total	66,300	92,800	110,000	141,700	184,300	227,800	281,000	332,800
	Sensible	54,200	78,400	98,300	117,100	148,600	189,300	226,100	279,200
Rows of Coil		4	4	4	3	4	4	3	4
GPM		21.0	29.0	35.0	45.5	56.0	70.0	75.0	80.0
Pressure drop - psi		3.8	6.8	10.3	21.2	14.7	22.4	22.8	15.7

BLOWER SECTION

Airflow - CFM	2,700	3,600	4,500	4,800	6,400	8,000	9,000	12,000
Standard Motor - horsepower	3	3	5	5	5	7.5	10	5
External Static Pressure (E.S.P.) - inches of W.G.	0.5	0.5	0.5	0.5	0.5	0.5	0.5	0.5
Number of motors/fans	1/1	1/1	1/1	1/1	1/2	1/2	1/2	3/3
Maximum E.S.P.	0.8	1.5	1.5	1.5	1.2	1.5	1.5	1.5

ELECTRICAL SECTION

Standard Motor

Electrical data based on STANDARD unit, electric reheat - **YES**, steam generator humidifier - **YES**, and STANDARD MOTOR.

208-230/3/60	FLA/MCA/MOP	63/77/80	72/83/90	84/96/110	93/106/110	107/130/150	116/140/150	161/181/225	183/218/253
460/3/60	FLA/MCA/MOP	29/35/40	36/42/45	39/44/50	45/51/60	52/63/70	56/68/70	73/82/100	84/101/110
575/3/60	FLA/MCA/MOP	23/28/30	26/30/35	31/35/40	35/40/45	40/49/50	44/53/60	60/68/80	70/83/90

Electric data based on: electric reheat - **NO**, steam generator humidifier - **YES**, and STANDARD MOTOR.

208-230/3/60	FLA/MCA/MOP	63/73/80	72/83/90	84/96/110	93/106/110	103/118/125	115/130/150	161/181/225	184/205/253
460/3/60	FLA/MCA/MOP	29/34/35	36/42/45	39/44/50	45/51/60	53/60/70	59/66/80	73/82/100	86/96/110
575/3/60	FLA/MCA/MOP	22/26/30	26/30/35	31/35/40	35/40/45	40/46/50	45/50/60	60/68/80	74/82/100

Electric data based on: electric reheat - **YES**, steam generator humidifier - **NO**, and STANDARD MOTOR.

208-230/3/60	FLA/MCA/MOP	63/77/80	68/83/90	77/92/100	81/98/110	107/130/150	116/140/150	144/172/200	183/218/253
460/3/60	FLA/MCA/MOP	29/35/40	33/40/45	35/42/45	38/46/50	52/63/70	56/68/70	65/78/90	84/101/110
575/3/60	FLA/MCA/MOP	23/28/30	25/30/35	28/34/35	30/36/40	40/49/50	44/53/60	53/63/70	70/83/90

Electric data based on: electric reheat - **NO**, steam generator humidifier - **NO**, and STANDARD MOTOR.

208-230/3/60	FLA/MCA/MOP	35/38/50	44/48/60	56/61/80	65/71/90	75/82/110	87/95/125	133/145/175	155/169/225
460/3/60	FLA/MCA/MOP	16/18/20	23/26/35	26/28/35	32/35/45	40/44/60	46/50/60	60/66/80	74/80/100
575/3/60	FLA/MCA/MOP	12/13/15	16/17/20	21/22/30	25/27/35	30/33/45	34/37/50	50/55/70	63/69/90

FLA - Full load amps

MCA - Minimum circuit amps (wire sizing amps)

MOP - Maximum rating of the overcurrent protective device

ENERGY SAVER-GLYCOL COOLED: Performance data at OPTIONAL airflow

CAPACITY in Btu/hr - Gross

(based on 45° F entering fluid temperature with 40% glycol solution)

MODEL NUMBER		DAGU/D-06	DAGU/D-08	DAGU/D-10	DAGU/D-13	DAGU/D-16	DAGU/D-20	DAGU/D-26	DAGU/D-30
75° DB/62.5° WB 50% RH	Total	71,600	100,300	118,100	152,100	200,900	243,800	300,300	357,500
	Sensible	61,500	89,700	112,900	130,600	171,300	207,000	244,900	311,400
72° DB/60° WB 50% RH	Total	68,200	95,700	112,600	145,200	191,800	231,400	286,800	341,300
	Sensible	59,900	87,400	110,300	127,400	167,200	201,500	239,400	303,800
Rows of coils		4	4	4	3	4	4	3	4
GPM		21.0	29.0	35.0	45.5	56.0	70.0	75.0	80.0
Pressure drop - psi		3.8	6.8	10.3	21.2	14.7	22.4	22.8	15.7

BLOWER SECTION

Airflow - CFM	3,300	4,400	5,500	5,600	8,000	9,000	10,000	14,000
Standard motor - horsepower	3	3	5	7.5	5	7.5	10	5
External Static Pressure (E.S.P.) - inches of W.G.	0.5	0.5	*	0.5	0.5	0.5	0.5	0.5
Number of fans/motors	1/1	1/1	1/1	1/1	2/1	2/1	2/1	3/3
* Limited External Static Pressure (see below for maximum E.S.P.)								
Maximum E.S.P.	1.4	1.5	0.5	0.6	1.5	1.5	1.0	1.5

ELECTRICAL SECTION

Standard Motor

Electrical data based on STANDARD unit, electric reheat - YES, steam generator humidifier - YES, and STANDARD MOTOR.

208-230/3/60	FLA/MCA/MOP	63/77/80	72/83/90	84/96/110	101/115/125	107/130/150	116/140/150	161/181/225	183/218/253
460/3/60	FLA/MCA/MOP	29/35/40	36/42/45	39/44/50	49/56/60	52/63/70	56/68/70	73/82/100	84/101/110
575/3/60	FLA/MCA/MOP	23/28/30	26/30/35	31/35/40	38/43/50	40/49/50	44/53/60	60/68/80	70/83/90

Electrical data based on: electric reheat - NO, steam generator humidifier - YES, and STANDARD MOTOR.

208-230/3/60	FLA/MCA/MOP	63/77/80	72/83/90	84/96/110	101/115/125	103/118/125	115/130/150	161/181/225	184/205/253
460/3/60	FLA/MCA/MOP	29/34/35	36/42/45	39/44/50	49/56/60	53/60/70	59/66/80	73/82/100	86/96/110
575/3/60	FLA/MCA/MOP	22/26/30	26/30/35	31/35/40	38/43/50	40/46/50	45/50/60	60/68/80	74/82/100

Electrical data based on: electric reheat - YES, steam generator humidifier - NO, and STANDARD MOTOR.

208-230/3/60	FLA/MCA/MOP	63/77/80	68/83/90	77/92/100	90/106/110	107/130/150	116/140/150	144/172/200	183/218/253
460/3/60	FLA/MCA/MOP	29/35/40	33/40/45	35/42/45	43/51/60	52/63/70	56/68/70	65/78/90	84/101/110
575/3/60	FLA/MCA/MOP	23/28/30	25/30/35	28/34/35	33/39/45	40/49/50	44/53/60	53/63/70	70/83/90

Electrical data based on: electric reheat - NO, steam generator humidifier - NO, and STANDARD MOTOR.

208-230/3/60	FLA/MCA/MOP	35/38/50	44/48/60	56/61/80	73/79/100	75/82/110	87/95/125	133/145/175	155/169/225
460/3/60	FLA/MCA/MOP	16/18/20	23/26/35	26/28/35	37/40/50	40/44/60	46/50/60	60/66/80	74/80/100
575/3/60	FLA/MCA/MOP	12/13/15	16/17/20	21/22/30	28/30/35	30/33/45	34/37/50	50/55/70	63/69/90

FLA - Full load amps

MCA - Minimum circuit amps (wire sizing amps)

MOP - Maximum rating of the overcurrent protective device

AUXILIARY CHILLED WATER COIL: Performance data at STANDARD airflow

CAPACITY in Btu/hr - Gross

(based on 45° F Entering Fluid Temperature)

MODEL NUMBER		DA*U/D-06	DA*U/D-08	DA*U/D-10	DA*U/D-13	DA*U/D-16	DA*U/D-20	DA*U/D-26	DA*U/D-30
75° DB/62.5° WB 50% RH	Total	69,400	97,300	115,400	148,400	193,400	239,100	294,500	348,800
	Sensible	55,400	80,300	100,800	119,800	152,000	193,900	231,100	285,800
72° DB/60° WB 50% RH	Total	66,300	92,800	110,000	141,700	184,300	227,800	281,000	332,800
	Sensible	54,200	78,400	98,300	117,100	148,600	189,300	226,100	279,200
Rows of coils		4	4	4	3	4	4	3	4
GPM		18.0	24.0	30.0	39.0	48.0	60.0	75.0	80.0
Pressure drop - psi		2.7	4.6	7.2	11.8	9.9	15.1	18.3	13.8

* Insert "A" for air cooled, "W" for water cooled, or "G" for glycol cooled

BLOWER SECTION

Airflow - CFM	2,700	3,600	4,500	4,800	6,400	8,000	9,000	12,000
Standard motor - horsepower	3	13	5	5	5	7.5	10	5
External Static Pressure (E.S.P.) - inches of W.G.	0.5	0.5	0.5	0.5	0.5	0.5	0.5	0.5
Number of motors/fans	1/1	1/1	1/1	1/1	1/2	1/2	1/2	3/3
Maximum E.S.P.	0.7	1.5	1.5	1.5	1.2	1.5	1.5	1.5

ELECTRICAL SECTION

Standard Motor

Electrical data based on STANDARD unit; electric reheat - **YES**, steam generator humidifier - **YES**, and STANDARD MOTOR.

208-230/3/60	FLA/MCA/MOP	63/77/80	72/83/90	84/96/110	93/106/110	107/130/150	116/140/150	161/181/225	183/218/253
460/3/60	FLA/MCA/MOP	29/35/40	36/42/45	39/44/50	45/51/60	52/63/70	56/68/70	73/82/100	84/101/110
575/3/60	FLA/MCA/MOP	23/28/30	26/30/35	31/35/40	35/40/45	40/49/50	44/53/60	60/68/80	70/83/90

Electrical data based on, electric reheat - **NO**, steam generator humidifier - **YES**, and STANDARD MOTOR.

208-230/3/60	FLA/MCA/MOP	63/73/80	72/83/90	84/96/110	93/106/110	103/118/125	115/130/150	161/181/225	184/205/253
460/3/60	FLA/MCA/MOP	29/34/35	36/42/45	39/44/50	45/51/60	53/60/70	59/66/80	73/82/100	86/96/110
575/3/60	FLA/MCA/MOP	22/26/30	26/30/35	31/35/40	35/40/45	40/46/50	45/50/60	60/68/80	74/82/100

Electrical data based on, electric reheat - **YES**, steam generator humidifier - **NO**, and STANDARD MOTOR.

208-230/3/60	FLA/MCA/MOP	63/77/80	68/83/90	77/92/100	81/98/110	107/130/150	116/140/150	144/172/200	183/218/253
460/3/60	FLA/MCA/MOP	29/35/40	33/40/45	35/42/45	38/46/50	52/63/70	56/68/70	65/78/90	84/101/110
575/3/60	FLA/MCA/MOP	23/28/30	25/30/35	28/34/35	30/36/40	40/49/50	44/53/60	53/63/70	70/83/90

Electrical data based on, electric reheat - **NO**, steam generator humidifier - **NO**, and STANDARD MOTOR.

208-230/3/60	FLA/MCA/MOP	35/38/50	44/48/60	56/61/80	65/71/90	75/82/110	87/95/125	133/145/175	155/169/225
460/3/60	FLA/MCA/MOP	16/18/20	23/26/35	26/28/35	32/35/45	40/44/60	46/50/60	60/66/80	74/80/100
575/3/60	FLA/MCA/MOP	12/13/15	16/17/20	21/22/30	25/27/35	30/33/45	34/37/50	50/55/70	63/69/90

FLA - Full load amps

MCA - Minimum circuit amps (wire sizing amps)

MOP - Maximum rating of the overcurrent protective device

AUXILIARY CHILLED WATER COIL: Performance data at OPTIONAL airflow

CAPACITY in Btu/hr - Gross

(based on 45° F Entering Fluid Temperature)

MODEL NUMBER		DA*U/D-06	DA*U/D-08	DA*U/D-10	DA*U/D-13	DA*U/D-16	DA*U/D-20	DA*U/D-26	DA*U/D-30
75° DB/62.5° WB 50% RH	Total	71,600	100,300	118,100	152,100	200,900	243,800	300,300	357,500
	Sensible	61,500	89,700	112,900	130,600	171,300	207,000	244,900	311,400
72° DB/60° WB 50% RH	Total	68,200	95,700	112,600	145,200	191,800	231,400	286,800	341,300
	Sensible	59,900	87,400	110,300	127,400	167,200	201,500	239,400	303,800
Rows of coils		4	4	4	3	4	4	3	4
GPM		18.0	24.0	30.0	39.0	48.0	60.0	75.0	80.0
Pressure drop - psi		2.7	4.6	7.2	11.6	9.9	15.1	18.3	13.8

* Insert "A" for air cooled, "W" for water cooled, or "G" for glycol cooled

BLOWER SECTION

Airflow - CFM	3,300	4,400	5,500	5,600	8,000	9,000	10,000	14,000
Standard motor - horsepower	3	3	5	7.5	5	7.5	10	5
External Static Pressure (E.S.P.) - inches of W.G.	0.5	0.5	*	0.5	0.5	0.5	0.5	0.5
Number of motors/fans	1/1	1/1	1/1	1/1	1/2	1/2	1/2	3/3
Maximum E.S.P.	1.4	1.5	0.5	0.6	1.5	1.5	1.0	1.5

* Limited External Static Pressure (see maximum E.S.P.)

ELECTRICAL SECTION

Standard Motor

Electrical data based on STANDARD unit; electric reheat - **YES**, steam generator humidifier - **YES**, and STANDARD MOTOR.

208-230/3/60	FLA/MCA/MOP	63/77/80	72/83/90	84/96/110	101/115/125	107/130/150	116/140/150	161/181/225	183/218/253
460/3/60	FLA/MCA/MOP	29/35/40	36/42/45	39/44/50	49/56/60	52/63/70	56/68/70	73/82/100	84/101/110
575/3/60	FLA/MCA/MOP	22/28/30	26/30/35	31/35/40	38/43/50	40/49/50	44/53/60	60/68/80	70/83/90

Electrical data based on, electric reheat - **NO**, steam generator humidifier - **YES**, and STANDARD MOTOR.

208-230/3/60	FLA/MCA/MOP	63/73/80	72/83/90	84/96/110	101/115/125	103/118/125	115/130/150	161/181/225	184/205/253
460/3/60	FLA/MCA/MOP	29/34/35	36/42/45	39/44/50	49/56/60	53/60/70	59/66/80	73/82/100	86/96/110
575/3/60	FLA/MCA/MOP	22/26/30	26/30/35	31/35/40	38/43/50	40/46/50	45/50/60	60/68/80	74/82/100

Electrical data based on, electric reheat - **YES**, steam generator humidifier - **NO**, and STANDARD MOTOR.

208-230/3/60	FLA/MCA/MOP	63/77/80	68/83/90	77/92/100	90/106/110	107/130/150	116/140/150	144/172/200	183/218/253
460/3/60	FLA/MCA/MOP	29/35/40	33/40/45	35/42/45	43/51/60	52/63/70	56/68/70	65/78/90	84/101/110
575/3/60	FLA/MCA/MOP	23/28/30	25/30/35	28/34/35	33/39/45	40/49/50	44/53/60	53/63/70	70/83/90

Electrical data based on, electric reheat - **NO**, steam generator humidifier - **NO**, and STANDARD MOTOR.

208-230/3/60	FLA/MCA/MOP	35/38/50	44/48/60	56/61/80	73/79/100	75/82/110	87/95/125	133/145/175	155/169/225
460/3/60	FLA/MCA/MOP	16/18/20	23/26/35	26/28/35	37/40/50	40/44/60	46/50/60	60/66/80	74/80/100
575/3/60	FLA/MCA/MOP	12/13/15	16/17/20	21/22/30	28/30/35	30/33/45	34/37/50	50/55/70	63/69/90

FLA - Full load amps

MCA - Minimum circuit amps (wire sizing amps)

MOP - Maximum rating of the overcurrent protective device

DATA AIRE SERIES Dimensional and Weight Data

Standard Units

Model	Length	Width	Height	Air Cooled		Water/Glycol Cooled	
				Operating Weight	Shipping Weight	Operating Weight	Shipping Weight
DA*D/U-06xx	62.00"	34.50"	78.00"	1,060 lbs	1,210 lbs	1,110 lbs	1,260 lbs
DA*D/U-08xx	62.00"	34.50"	78.00"	1,075 lbs	1,225 lbs	1,120 lbs	1,275 lbs
DA*D/U-10xx	62.00"	34.50"	78.00"	1,090 lbs	1,240 lbs	1,190 lbs	1,340 lbs
DA*D/U-13xx	74.50"	34.50"	78.00"	1,345 lbs	1,520 lbs	1,405 lbs	1,580 lbs
DA*D/U-16xx	93.25"	34.50"	78.00"	1,520 lbs	1,720 lbs	1,550 lbs	1,850 lbs
DA*D/U-20xx	93.25"	34.50"	78.00"	1,560 lbs	1,760 lbs	1,710 lbs	1,910 lbs
DA*D/U-26xx	93.25"	34.50"	78.00"	1,605 lbs	1,805 lbs	1,755 lbs	1,955 lbs
DA*D/U-30xx	125.00"	34.50"	78.00"	2,050 lbs	2,300 lbs	2,280 lbs	2,530 lbs

Units with Auxiliary Chilled Water Coil or Energy Saver Coil

Model	Length	Width	Height	Air Cooled		Water/Glycol Cooled	
				Operating Weight	Shipping Weight	Operating Weight	Shipping Weight
DA*D/U-08xx-C/E	62.00"	40.50"	78.00"	1,200 lbs	1,350 lbs	1,245 lbs	1,395 lbs
DA*D/U-10xx-C/E	62.00"	40.50"	78.00"	1,240 lbs	1,390 lbs	1,340 lbs	1,490 lbs
DA*D/U-13xx-C/E	74.50"	40.50"	78.00"	1,525 lbs	1,700 lbs	1,585 lbs	1,760 lbs
DA*D/U-16xx-C/E	93.25"	40.50"	78.00"	1,720 lbs	1,920 lbs	1,750 lbs	2,060 lbs
DA*D/U-20xx-C/E	93.25"	40.50"	78.00"	1,785 lbs	1,985 lbs	1,935 lbs	2,135 lbs
DA*D/U-26xx-C/E	93.25"	40.50"	78.00"	1,880 lbs	2,080 lbs	2,030 lbs	2,230 lbs
DA*D/U-30xx-C/E	125.00"	40.50"	78.00"	2,350 lbs	2,600 lbs	2,580 lbs	2,830 lbs

* - Insert: A - air cooled, W - water cooled, G-Glycol cooled.

DataAire.com
800-347-2473

sales@DataAire.com
230 W. BlueRidge Ave.
Orange, CA 92865

DADX-R410A-120414

ISO 9001-2008 Certified
A member of the CS Group of Companies
Creating Products That Make Buildings Better

